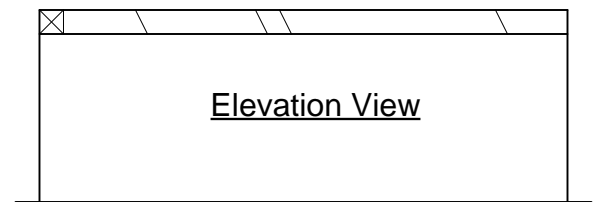
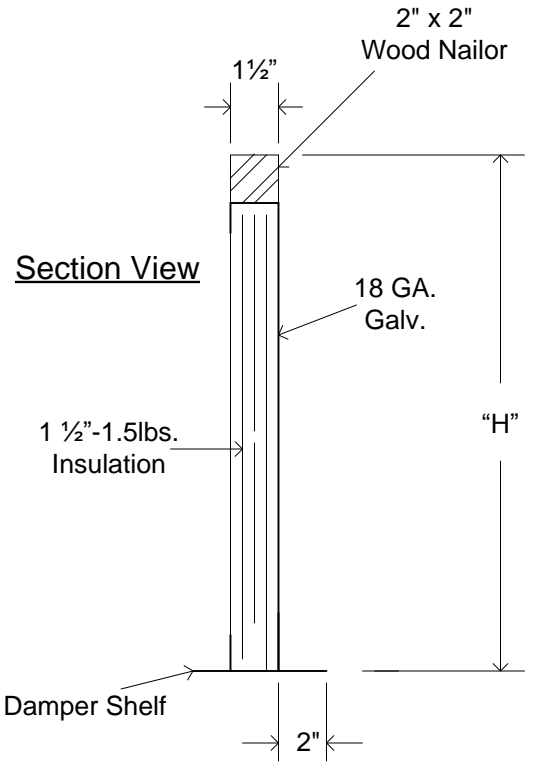
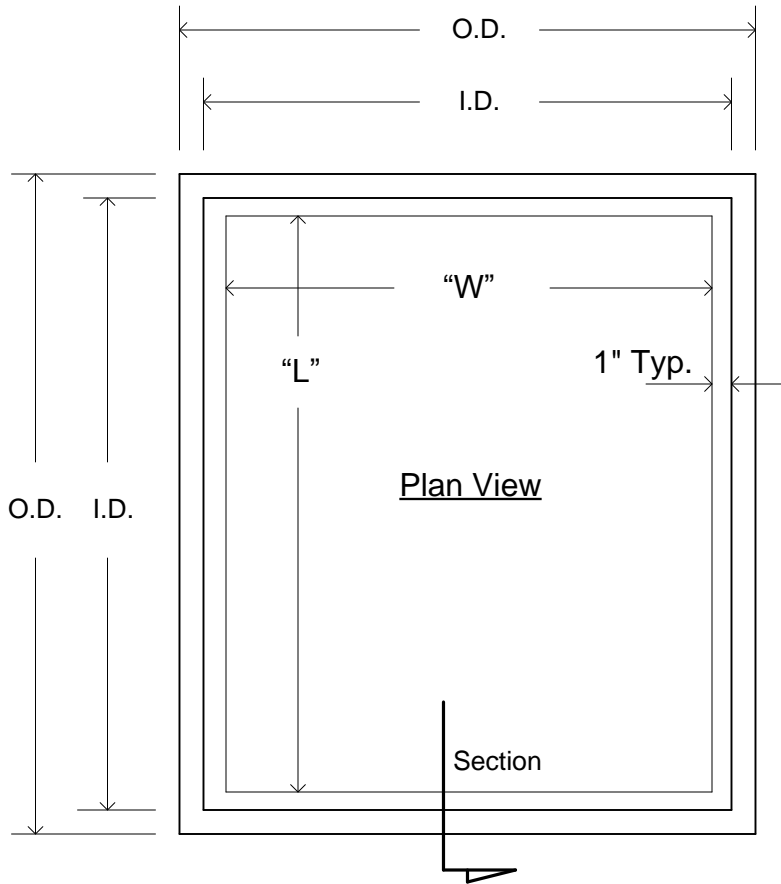


Qty.	O.D.	I.D.	H	Tag:

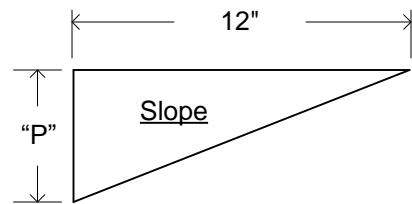
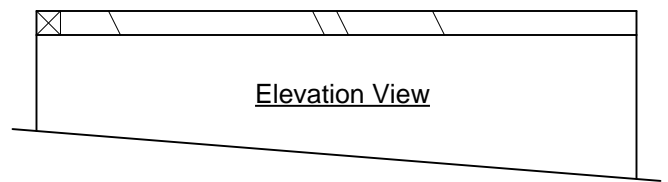
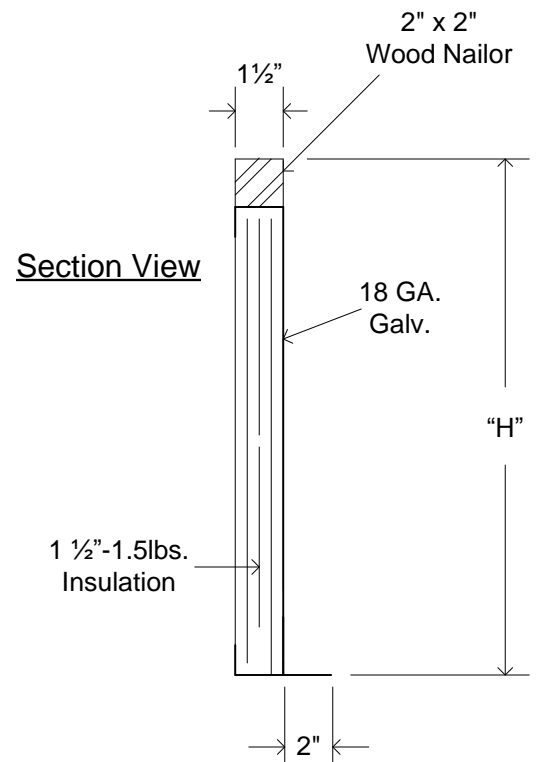
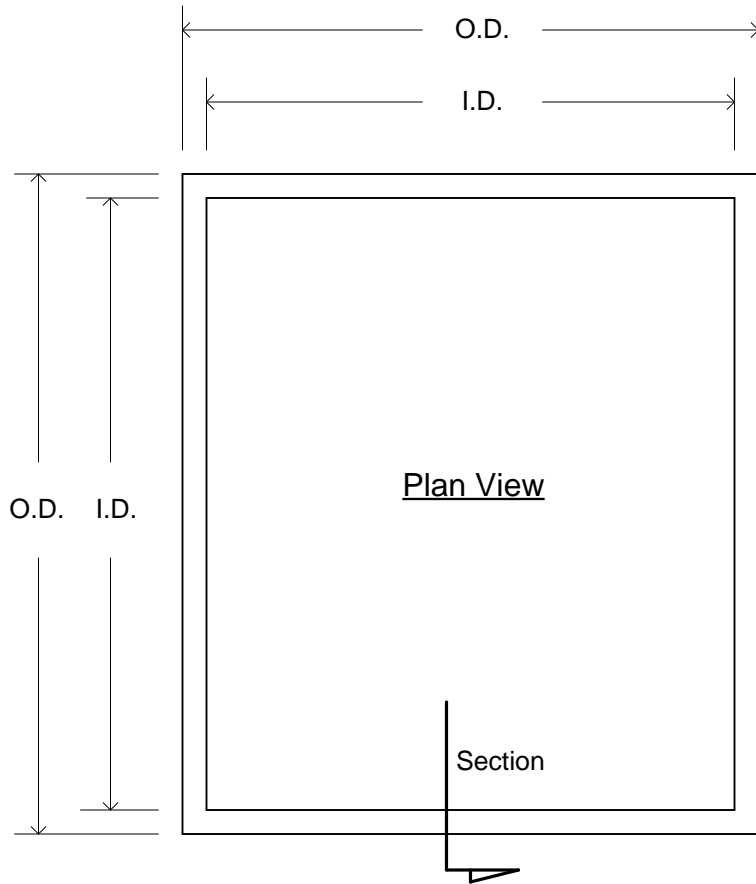
<p>Union Curbs          3700 Annapolis Lane North          Suite 175          Plymouth, MN 55447          Tel: (877) 210-2722          Fax: (763) 231-2759</p>	<p>Drawing Description:          Roof Curb          Model # UCRC1          *No Scale</p>	<p>Customer Approval          Approved By: _____          Your Title: _____          Company Name: _____          Date: _____</p>
--	--	---



Damper Shelf Only

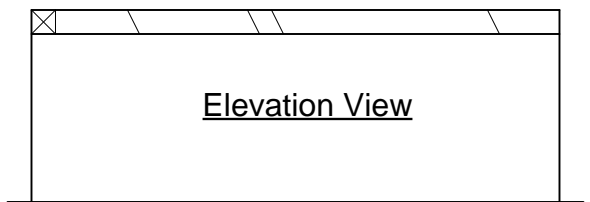
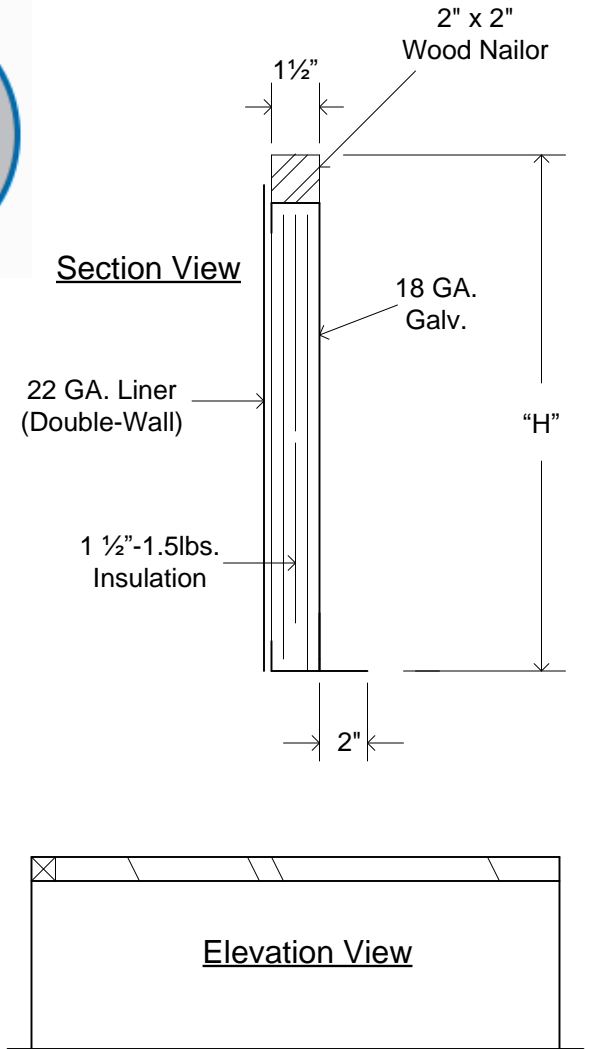
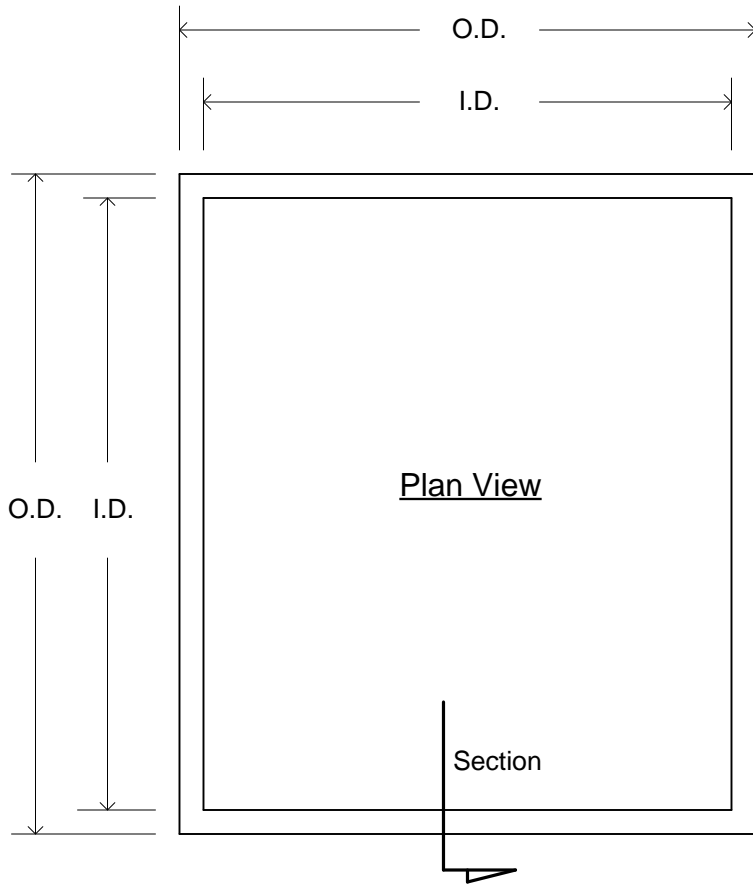
Qty.	O.D.	I.D.	W	L	H	Tag:

<p>Union Curbs          3700 Annapolis Lane North          Suite 175          Plymouth, MN 55447          Tel: (877) 210-2722          Fax: (763) 231-2759</p>	<p>Drawing Description:          Roof Curb          Model # UCRC1D          *No Scale</p>	<p>Customer Approval          Approved By: _____          Your Title: _____          Company Name: _____          Date: _____</p>
--	---	---



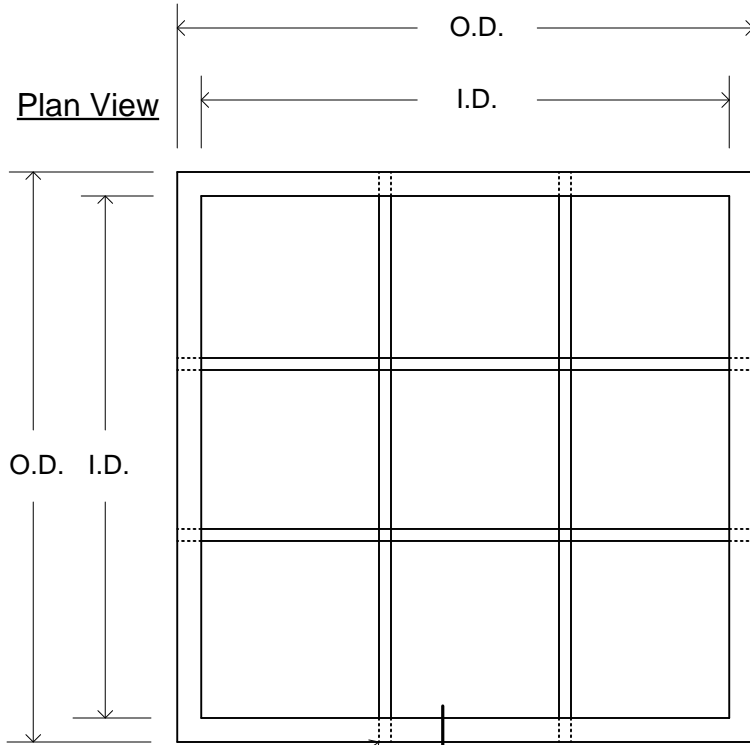
Qty.	O.D.	I.D.	P	H	Deg.	Tag:

<p>Union Curbs          3700 Annapolis Lane North          Suite 175          Plymouth, MN 55447          Tel: (877) 210-2722          Fax: (763) 231-2759</p>	<p>Drawing Description:          Roof Curb          Model # UCRC1SB          *No Scale</p>	<p>Customer Approval          Approved By: _____          Your Title: _____          Company Name: _____          Date: _____</p>
--	--	---

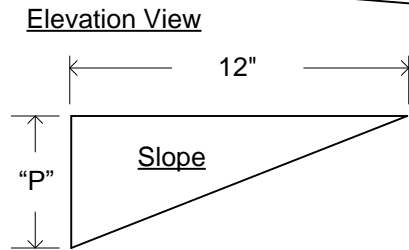
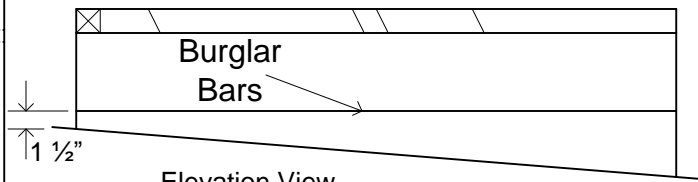
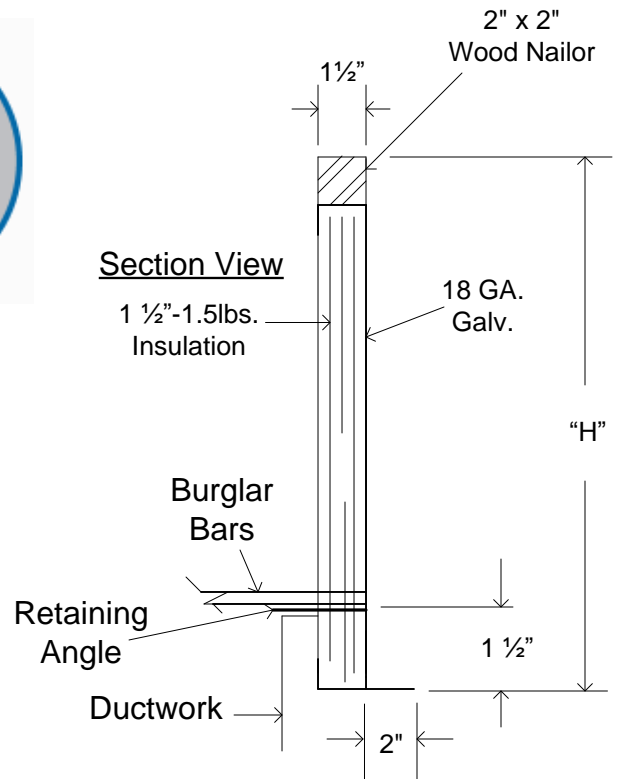


Qty.	O.D.	I.D.	H	Tag:

<p>Union Curbs          3700 Annapolis Lane North          Suite 175          Plymouth, MN 55447          Tel: (877) 210-2722          Fax: (763) 231-2759</p>	<p>Drawing Description:          Roof Curb          Model # UCRC1L          *No Scale</p>	<p>Customer Approval          Approved By: _____          Your Title: _____          Company Name: _____          Date: _____</p>
--	---	---



1/2" Round mild steel welded into place, 6" on center

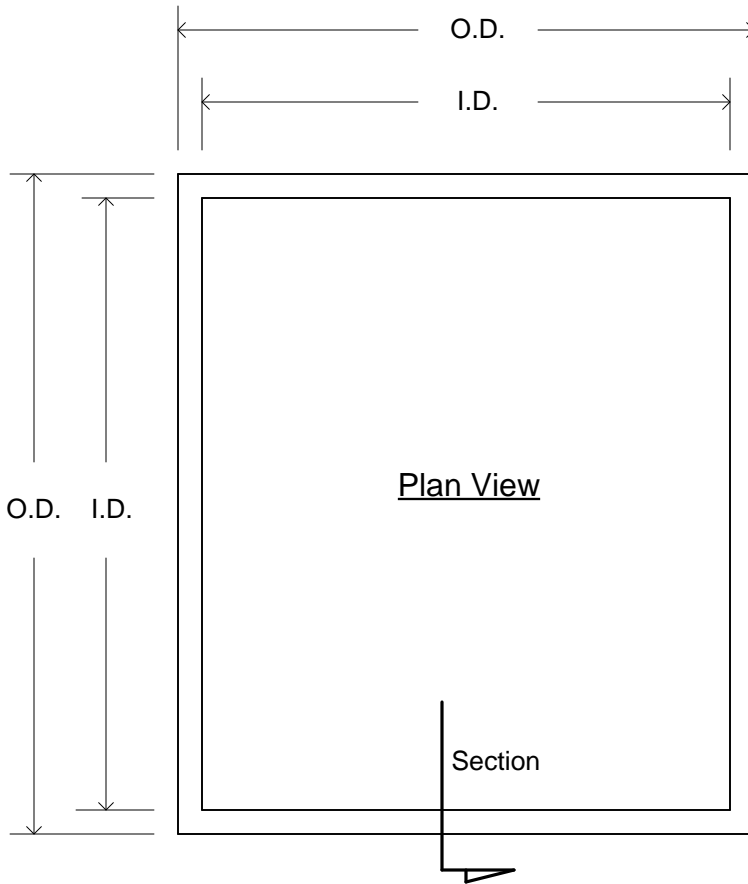
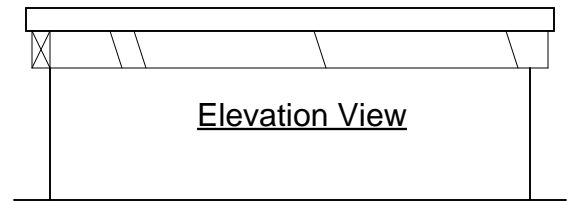
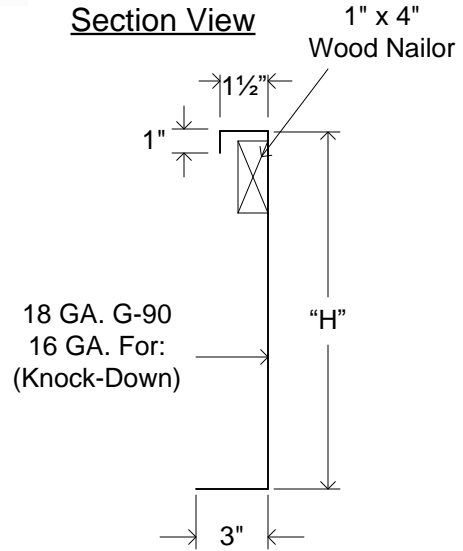


Qty.	O.D.	I.D.	P	H	Deg.	Tag:

<p>Union Curbs 3700 Annapolis Lane North Suite 175 Plymouth, MN 55447 Tel: (877) 210-2722 Fax: (763) 231-2759</p>	<p>Drawing Description: Roof Curb Model # UCRC1SBB  *No Scale</p>	<p>Customer Approval  Approved By: _____ Your Title: _____ Company Name: _____ Date: _____</p>
---	---	--

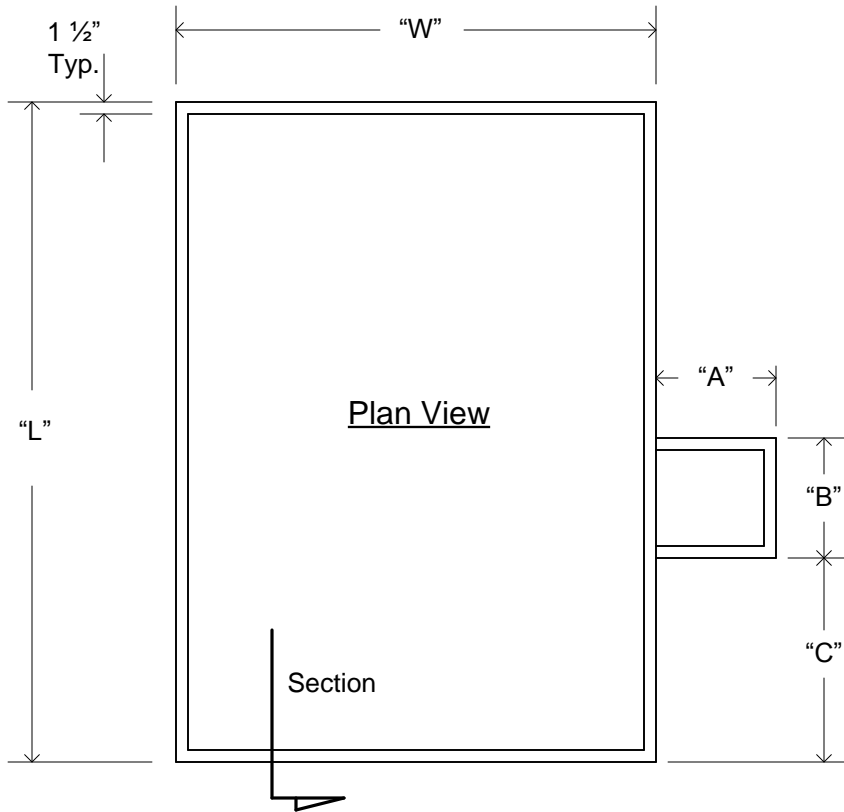


**Section View**

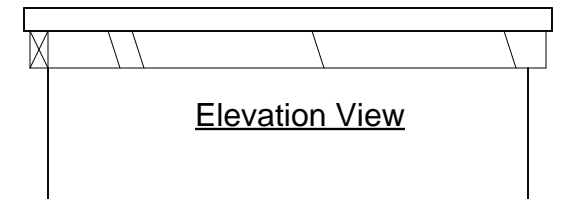
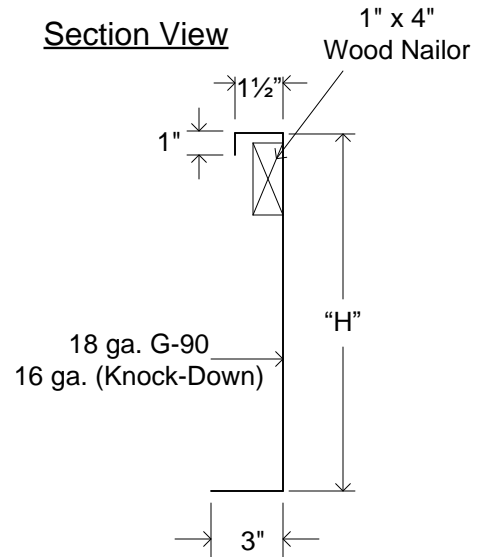


Qty.	O.D.	I.D.	H	Tag:

<p>Union Curbs          3700 Annapolis Lane North          Suite 175          Plymouth, MN 55447          Tel: (877) 210-2722          Fax: (763) 231-2759</p>	<p>Drawing Description:          Roof Curb          Model # UCRC4          *No Scale</p>	<p>Customer Approval          Approved By: _____          Your Title: _____          Company Name: _____          Date: _____</p>
--	--	---

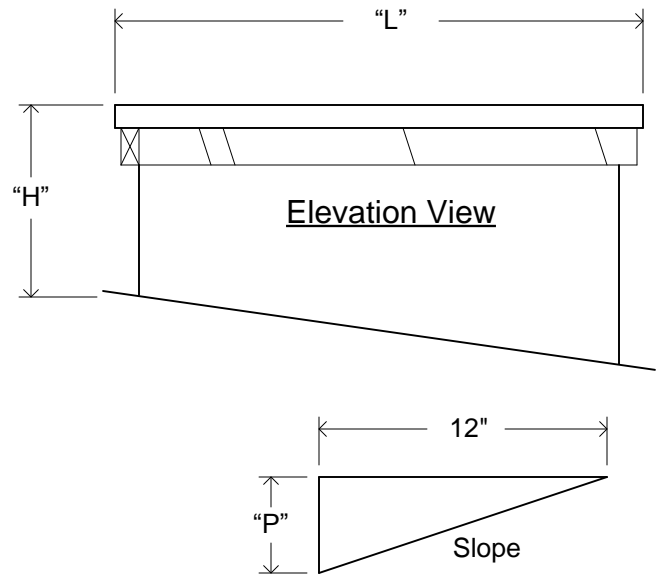
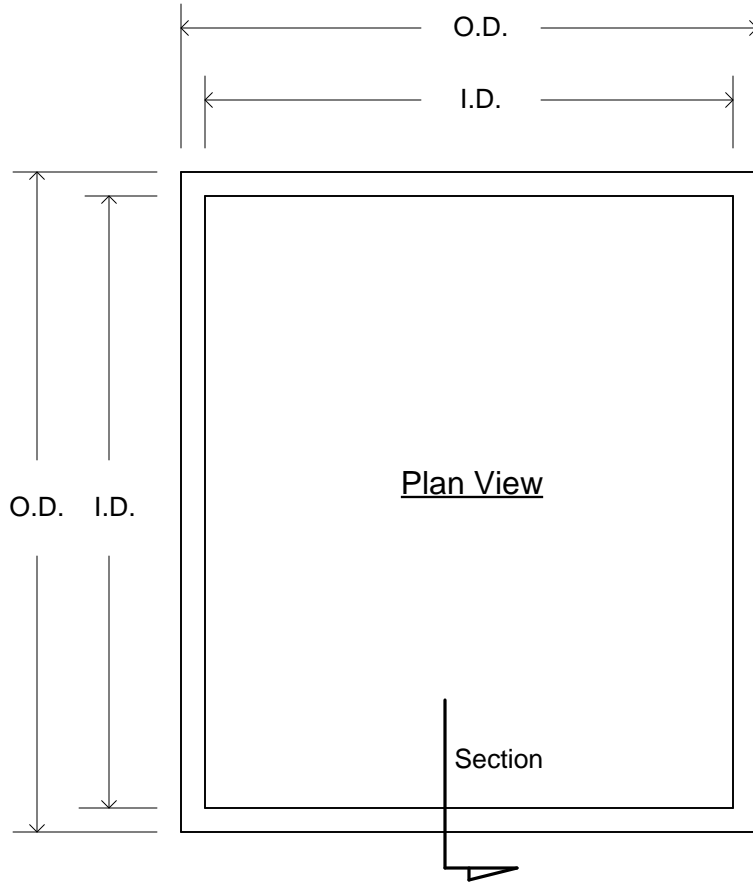
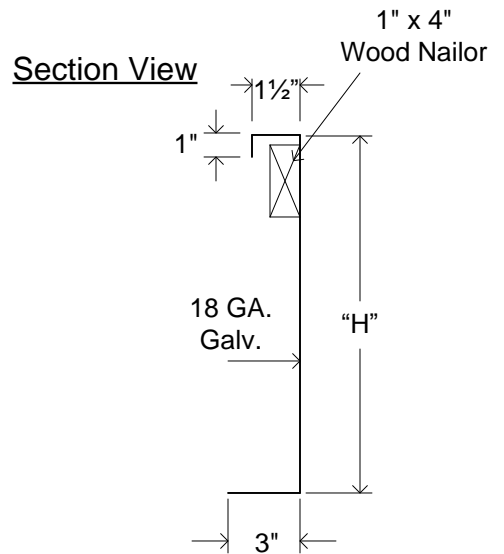


Section View



Qty.	L	W	H	A	B	C	Tag:

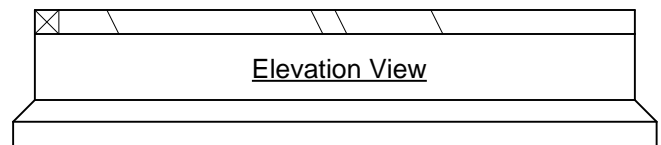
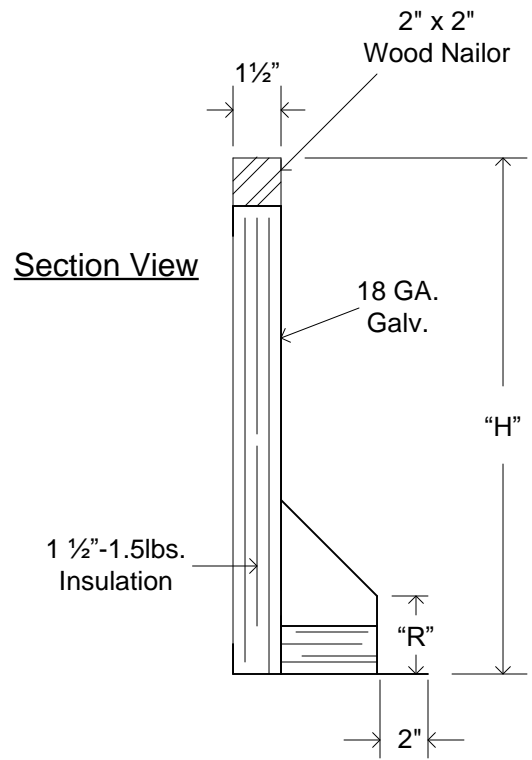
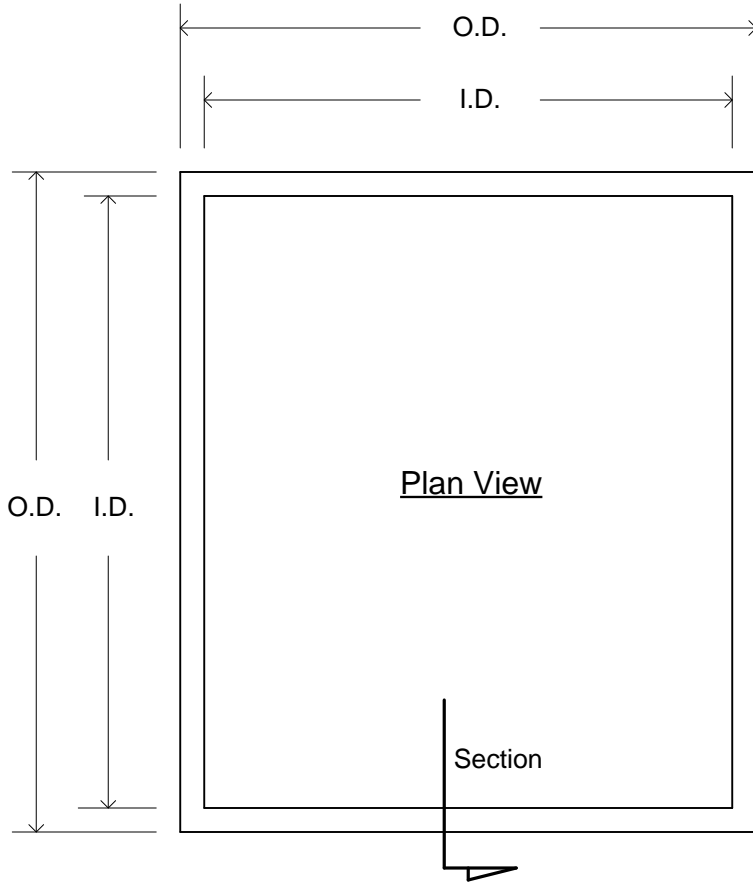
<p>Union Curbs 3700 Annapolis Lane North Suite 175 Plymouth, MN 55447 Tel: (877) 210-2722 Fax: (763) 231-2759</p>	<p>Drawing Description: Roof Curb Model # UCRC4DH  *No Scale</p>	<p>Customer Approval</p> <p>Approved By: _____ Your Title: _____ Company Name: _____ Date: _____</p>
---	--	--



Qty.	O.D.	I.D.	Deg.	P	H	L	Tag:

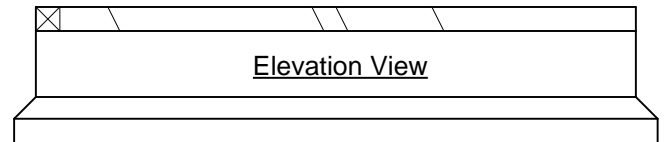
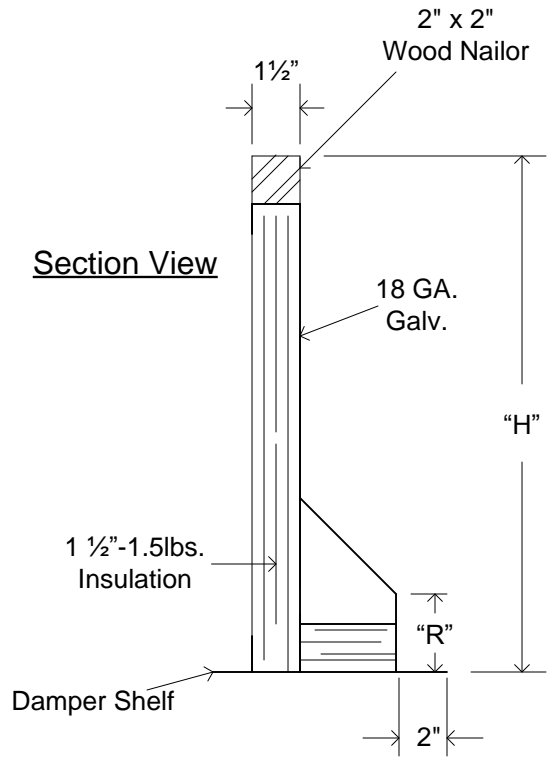
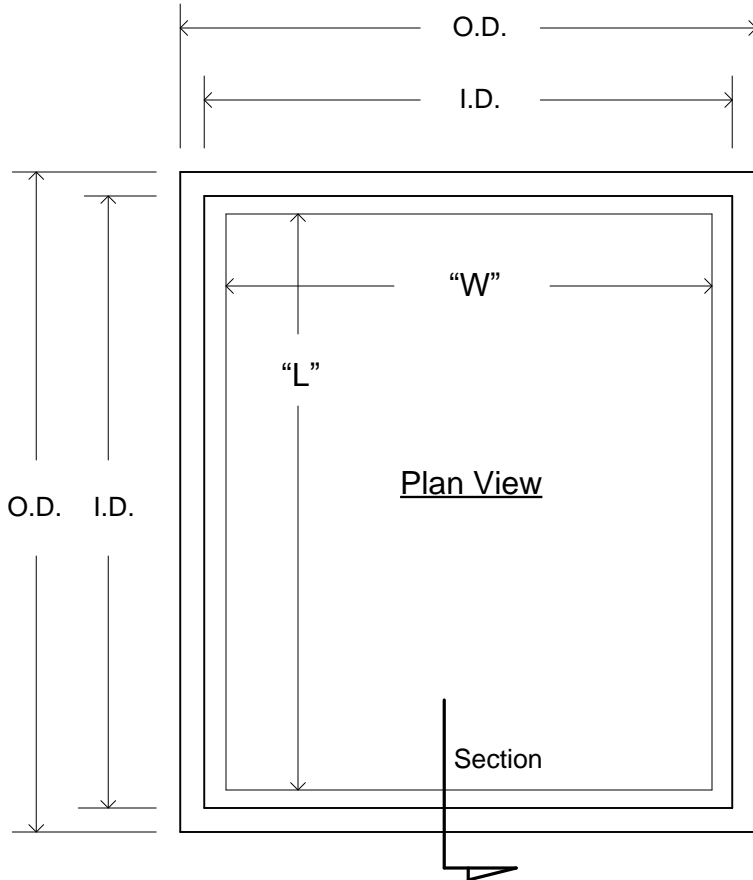
<p>Union Curbs 3700 Annapolis Lane North Suite 175 Plymouth, MN 55447 Tel: (877) 210-2722 Fax: (763) 231-2759</p>	<p>Drawing Description: Roof Curb Model # UCRC4SB  *No Scale</p>	<p>Customer Approval  Approved By: _____ Your Title: _____ Company Name: _____ Date: _____</p>
---	--	--





Qty.	O.D.	I.D.	R	H	Tag:

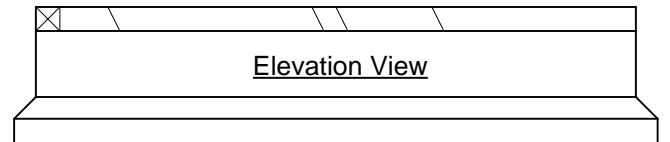
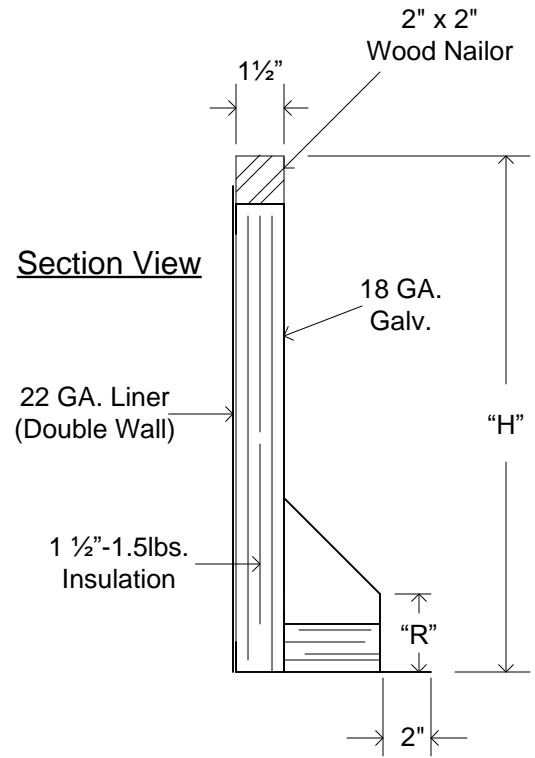
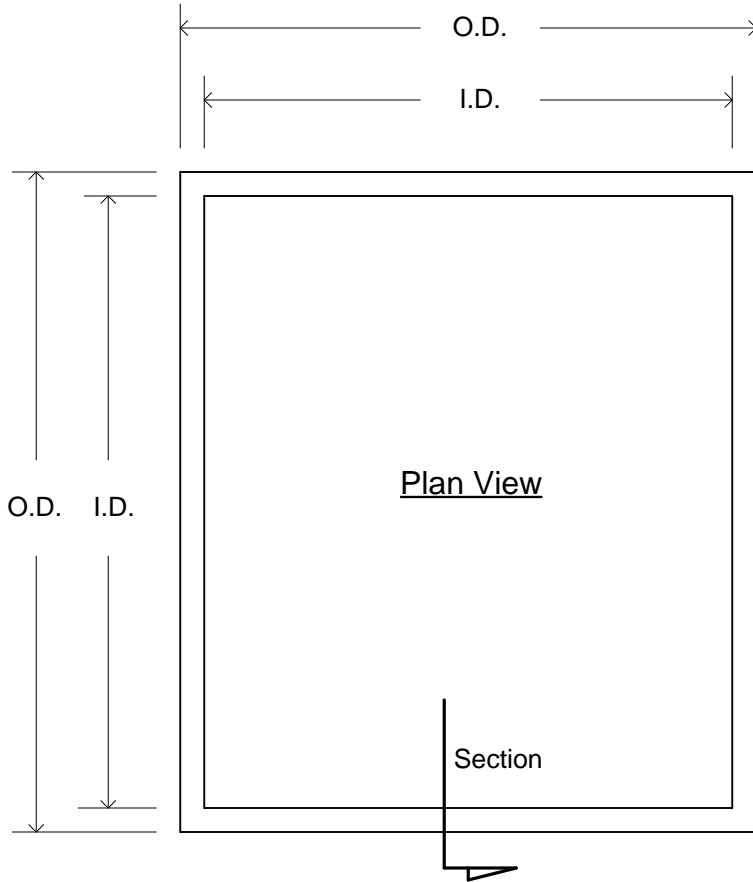
<p>Union Curbs          3700 Annapolis Lane North          Suite 175          Plymouth, MN 55447          Tel: (877) 210-2722          Fax: (763) 231-2759</p>	<p>Drawing Description:          Roof Curb          Model # UCRC2          *No Scale</p>	<p>Customer Approval          Approved By: _____          Your Title: _____          Company Name: _____          Date: _____</p>
--	--	---



Damper Shelf Only

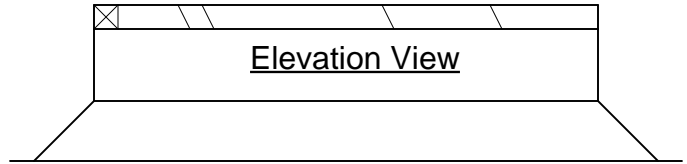
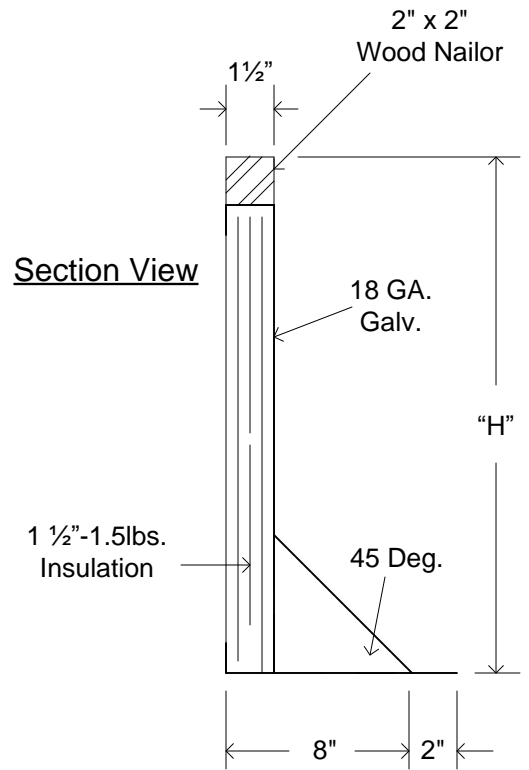
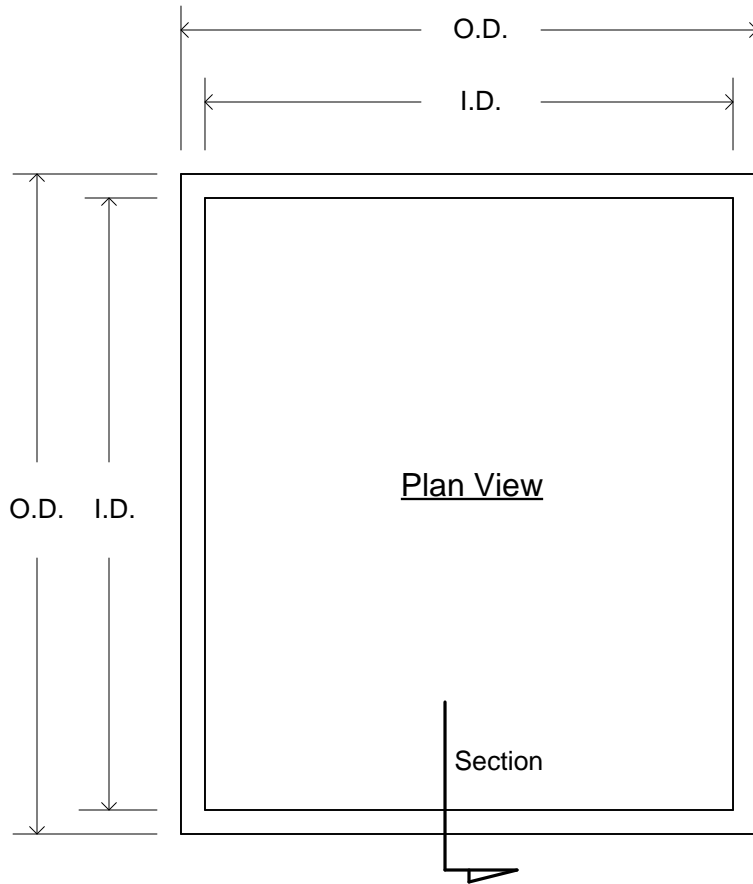
Qty.	O.D.	I.D.	W	L	R	H	Tag:

<p>Union Curbs          3700 Annapolis Lane North          Suite 175          Plymouth, MN 55447          Tel: (877) 210-2722          Fax: (763) 231-2759</p>	<p>Drawing Description:          Roof Curb          Model # UCRC2D          *No Scale</p>	<p>Customer Approval          Approved By: _____          Your Title: _____          Company Name: _____          Date: _____</p>
--	---	---



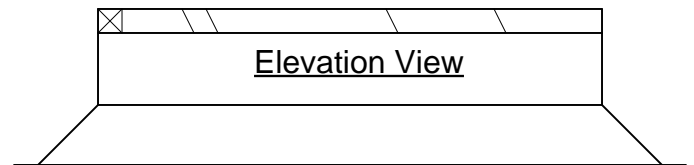
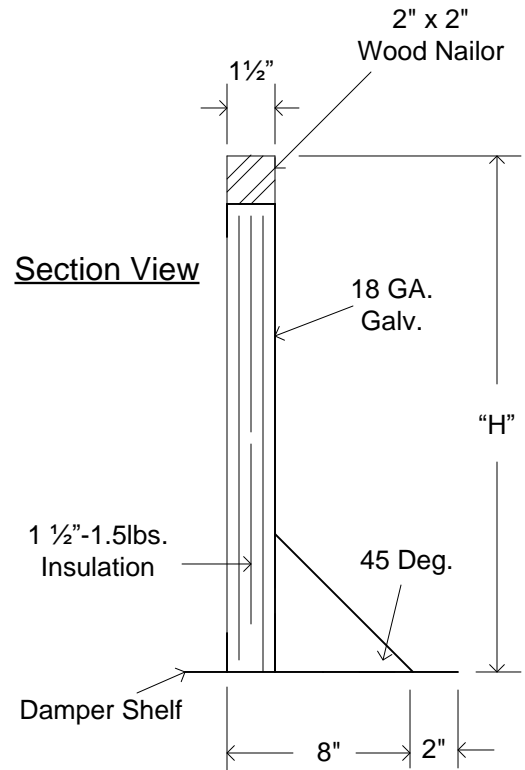
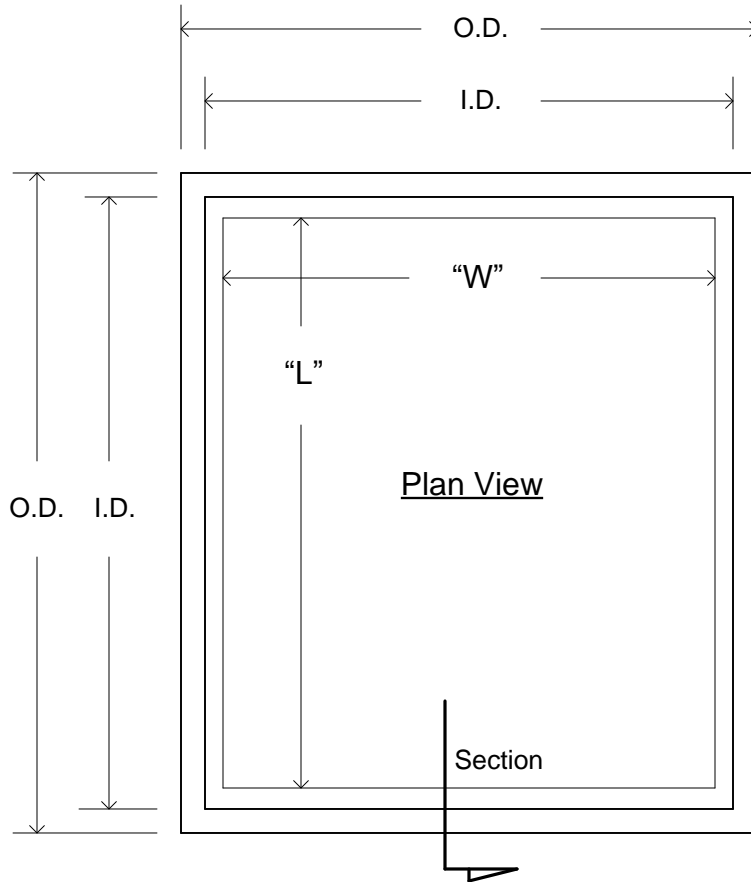
Qty.	O.D.	I.D.	R	H	Tag:

<p>Union Curbs          3700 Annapolis Lane North          Suite 175          Plymouth, MN 55447          Tel: (877) 210-2722          Fax: (763) 231-2759</p>	<p>Drawing Description:          Roof Curb          Model # UCRC2L          *No Scale</p>	<p>Customer Approval          Approved By: _____          Your Title: _____          Company Name: _____          Date: _____</p>
--	---	---



Qty.	O.D.	I.D.	H	Tag:

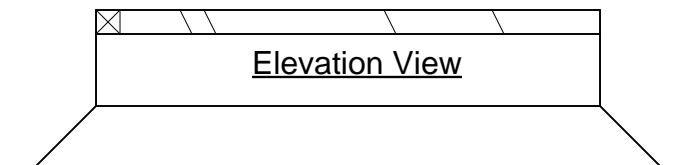
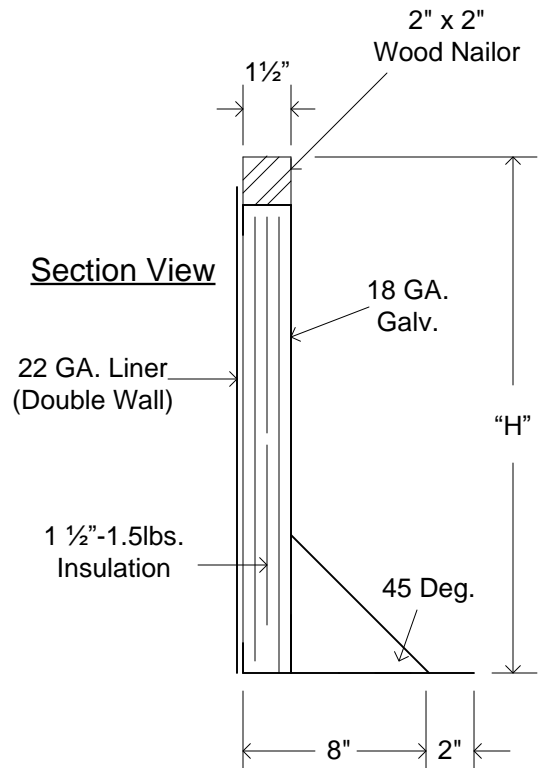
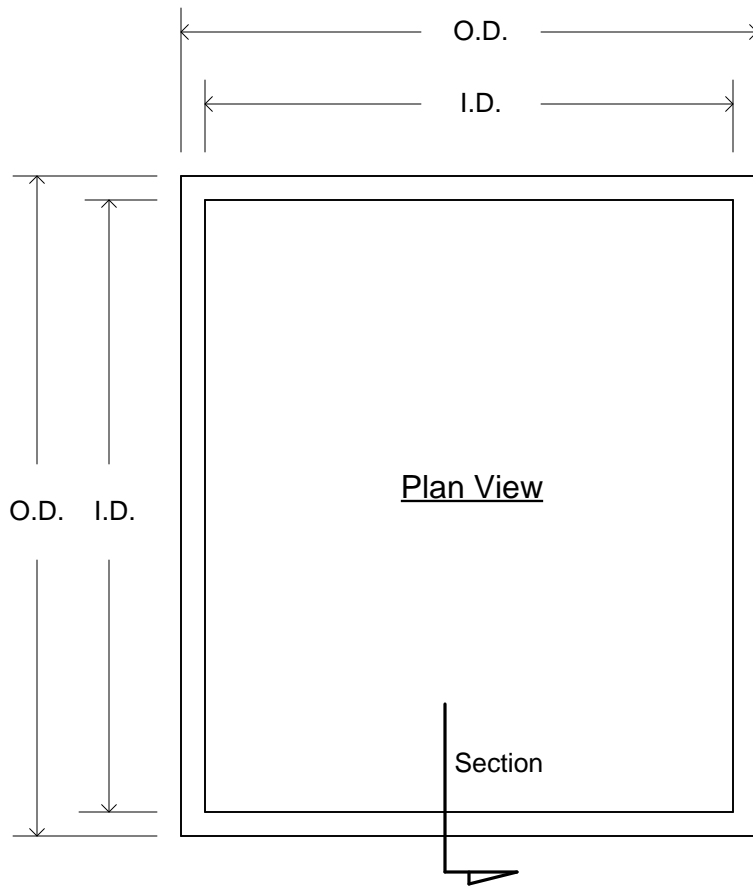
<p>Union Curbs          3700 Annapolis Lane North          Suite 175          Plymouth, MN 55447          Tel: (877) 210-2722          Fax: (763) 231-2759</p>	<p>Drawing Description:          Roof Curb          Model # UCRC3          *No Scale</p>	<p>Customer Approval</p> <p>Approved By: _____          Your Title: _____          Company Name: _____          Date: _____</p>
--	--	---



Damper Shelf Only

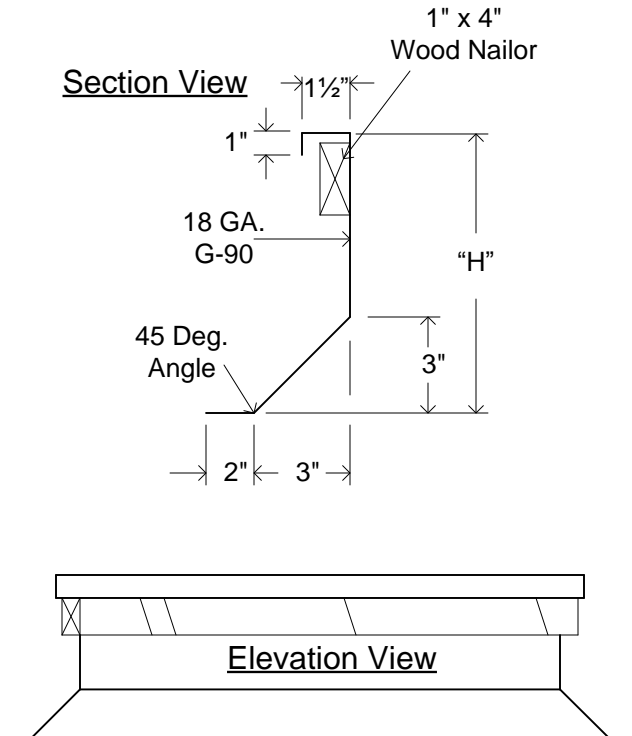
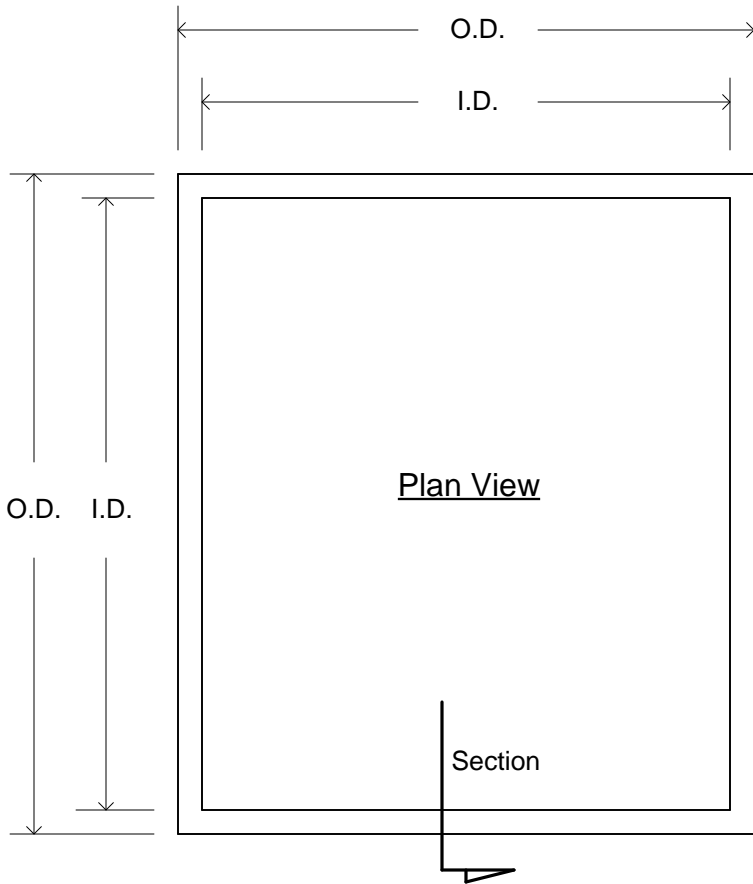
Qty.	O.D.	I.D.	W	L	H	Tag:

<p>Union Curbs          3700 Annapolis Lane North          Suite 175          Plymouth, MN 55447          Tel: (877) 210-2722          Fax: (763) 231-2759</p>	<p>Drawing Description:          Roof Curb          Model # UCRC3D          *No Scale</p>	<p>Customer Approval</p> <p>Approved By: _____          Your Title: _____          Company Name: _____          Date: _____</p>
--	---	---



Qty.	O.D.	I.D.	H	Tag:

<p>Union Curbs          3700 Annapolis Lane North          Suite 175          Plymouth, MN 55447          Tel: (877) 210-2722          Fax: (763) 231-2759</p>	<p>Drawing Description:          Roof Curb          Model # UCRC3L          *No Scale</p>	<p>Customer Approval          Approved By: _____          Your Title: _____          Company Name: _____          Date: _____</p>
--	---	---

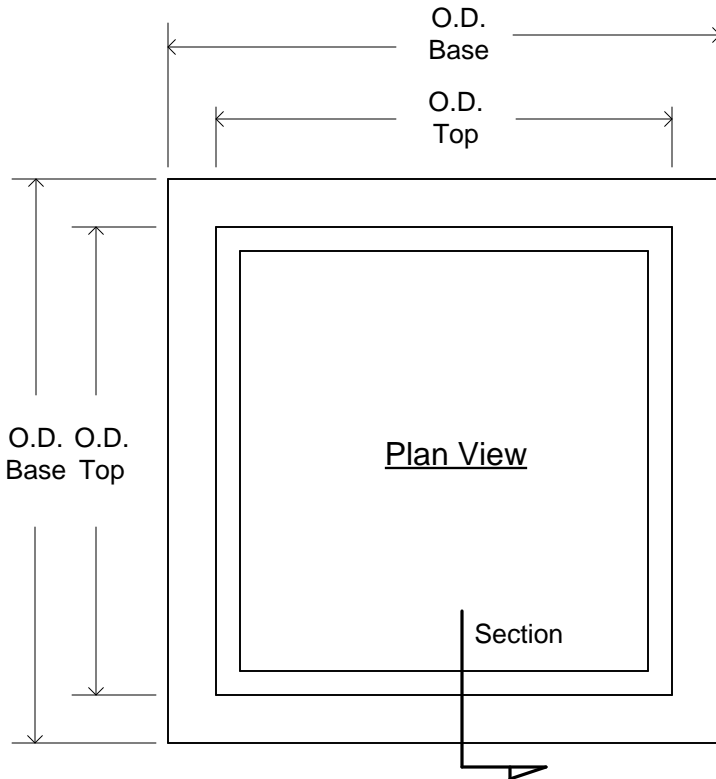
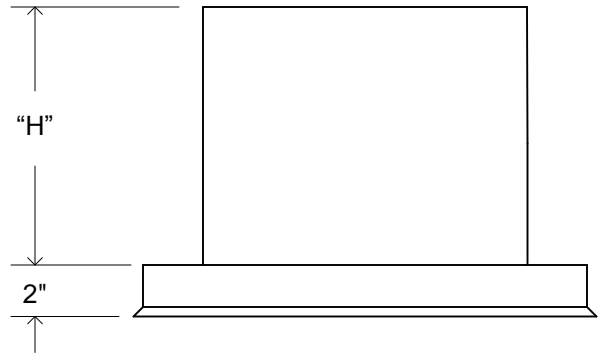


Qty.	O.D.	I.D.	H	Tag:

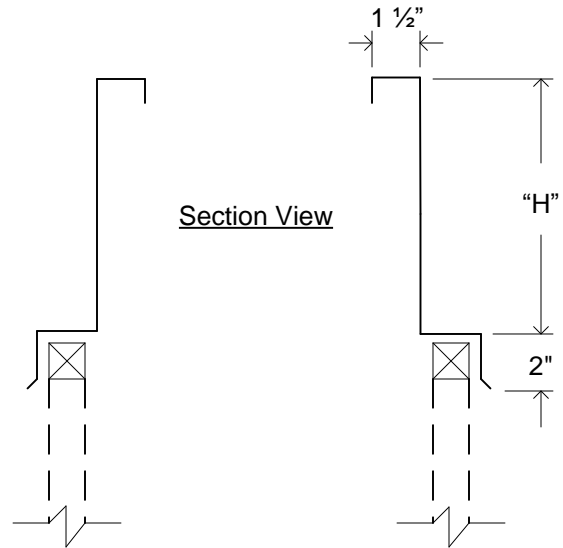
<p>Union Curbs          3700 Annapolis Lane North          Suite 175          Plymouth, MN 55447          Tel: (877) 210-2722          Fax: (763) 231-2759</p>	<p>Drawing Description:          Roof Curb          Model # UCRC6          *No Scale</p>	<p>Customer Approval</p> <p>Approved By: _____          Your Title: _____          Company Name: _____          Date: _____</p>
--	--	---



Elevation View



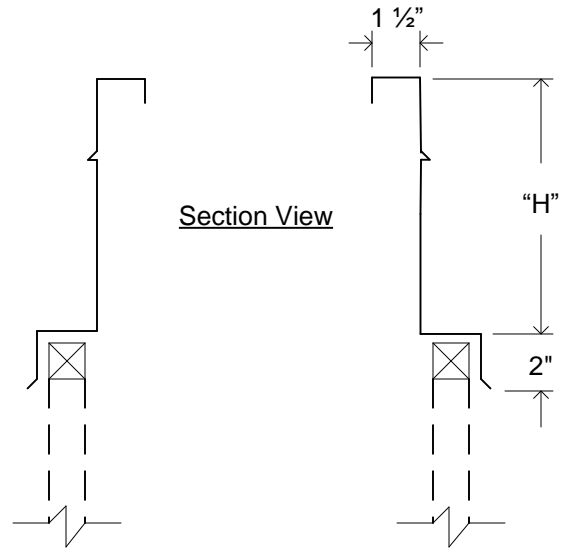
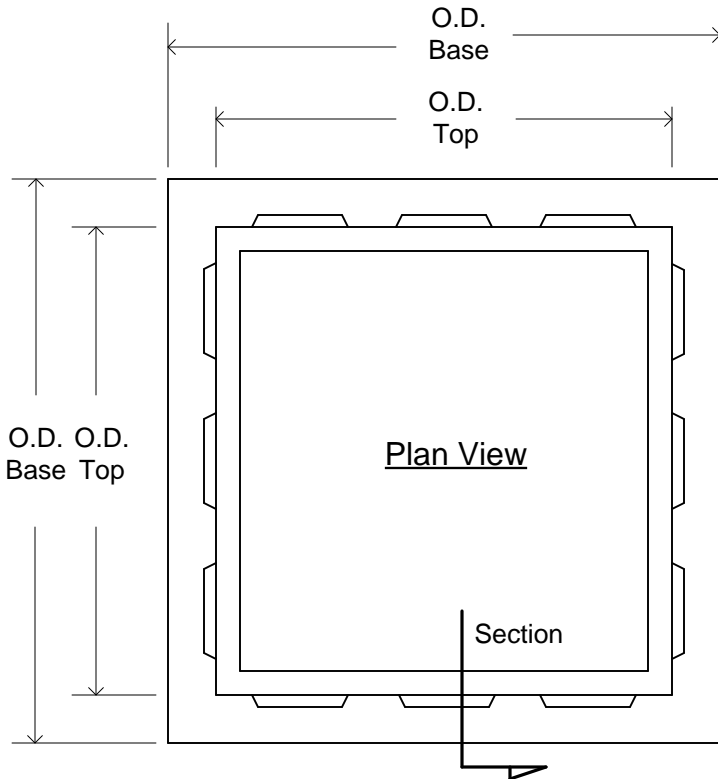
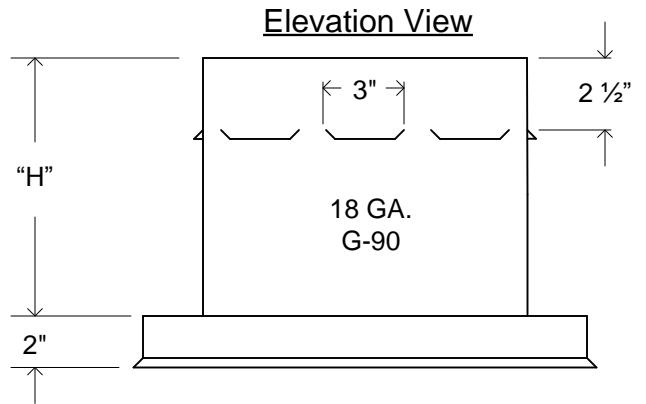
Section View



Qty.	O.D. Top	O.D Base	H	Tag:

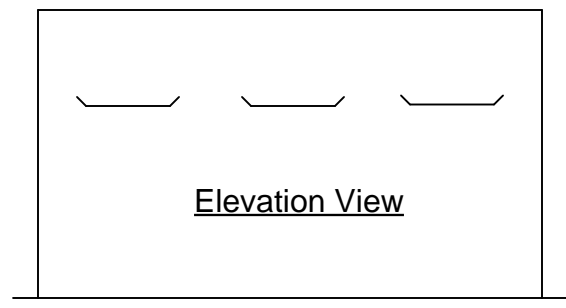
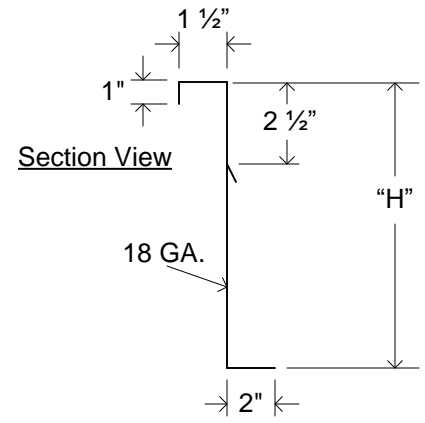
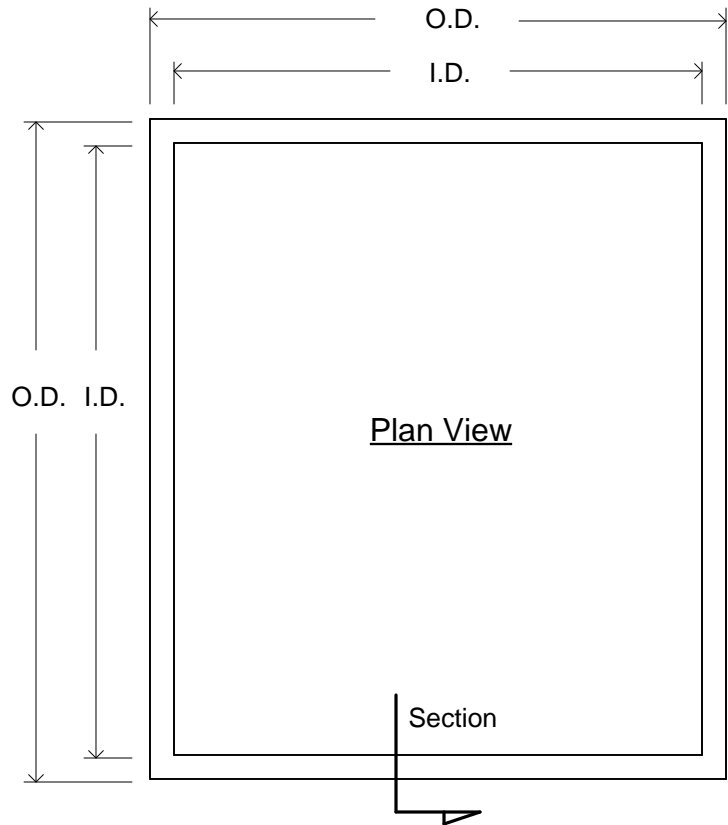
<p>Union Curbs          3700 Annapolis Lane North          Suite 175          Plymouth, MN 55447          Tel: (877) 210-2722          Fax: (763) 231-2759</p>	<p>Drawing Description:          Vented Roof Curb Extension          Model # UCCE1          *No Scale</p>	<p>Customer Approval          Approved By: _____          Your Title: _____          Company Name: _____          Date: _____</p>
--	---	---





Qty.	O.D. Top	O.D Base	H	Tag:

<p>Union Curbs          3700 Annapolis Lane North          Suite 175          Plymouth, MN 55447          Tel: (877) 210-2722          Fax: (763) 231-2759</p>	<p>Drawing Description:          Vented Roof Curb Extension          Model # UCVE1          *No Scale</p>	<p>Customer Approval          Approved By: _____          Your Title: _____          Company Name: _____          Date: _____</p>
--	---	---

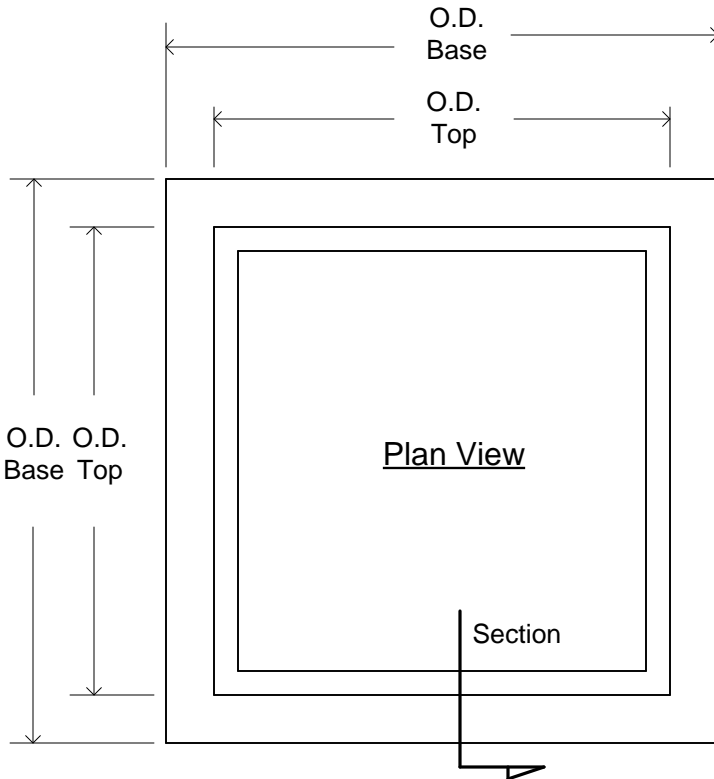
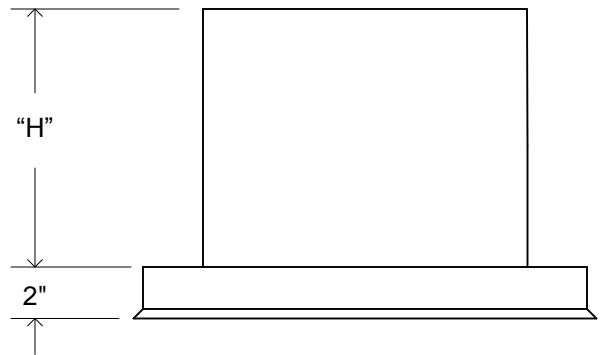


Qty.	O.D.	I.D.	H	Tag:

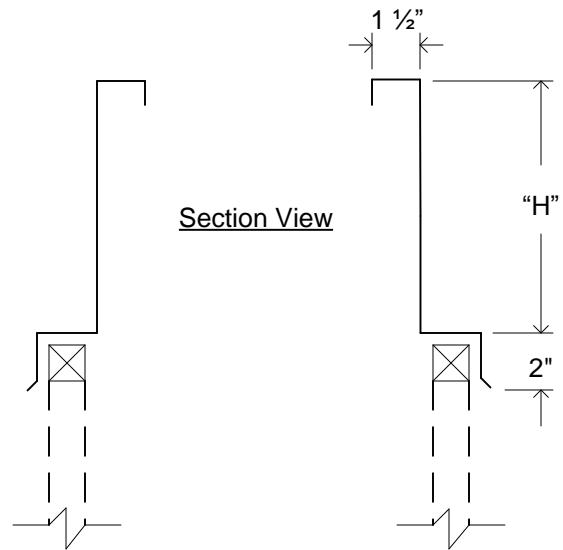
<p>Union Curbs          3700 Annapolis Lane North          Suite 175          Plymouth, MN 55447          Tel: (877) 210-2722          Fax: (763) 231-2759</p>	<p>Drawing Description:          Vented Roof Curb          Model # UCVC1          *No Scale</p>	<p>Customer Approval          Approved By: _____          Your Title: _____          Company Name: _____          Date: _____</p>
--	---	---



Elevation View

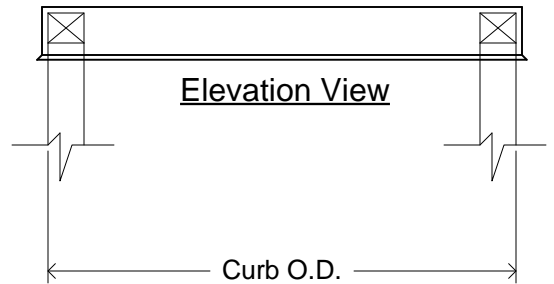
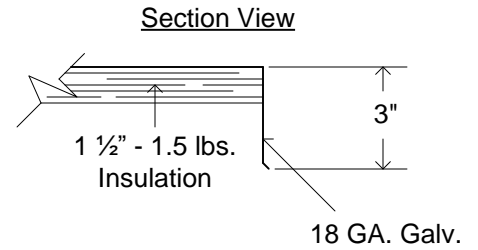
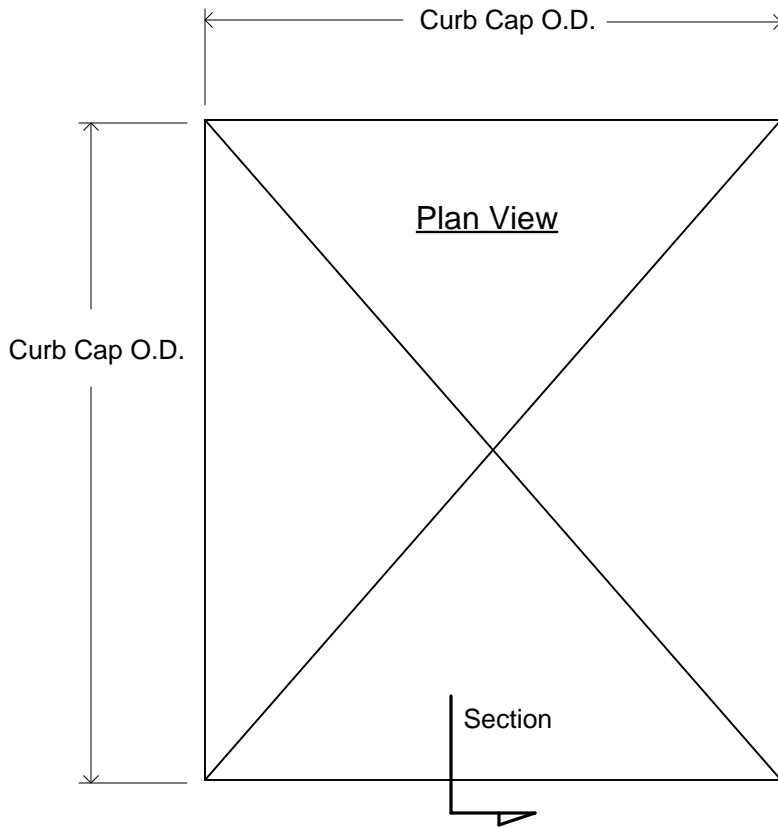


Section View



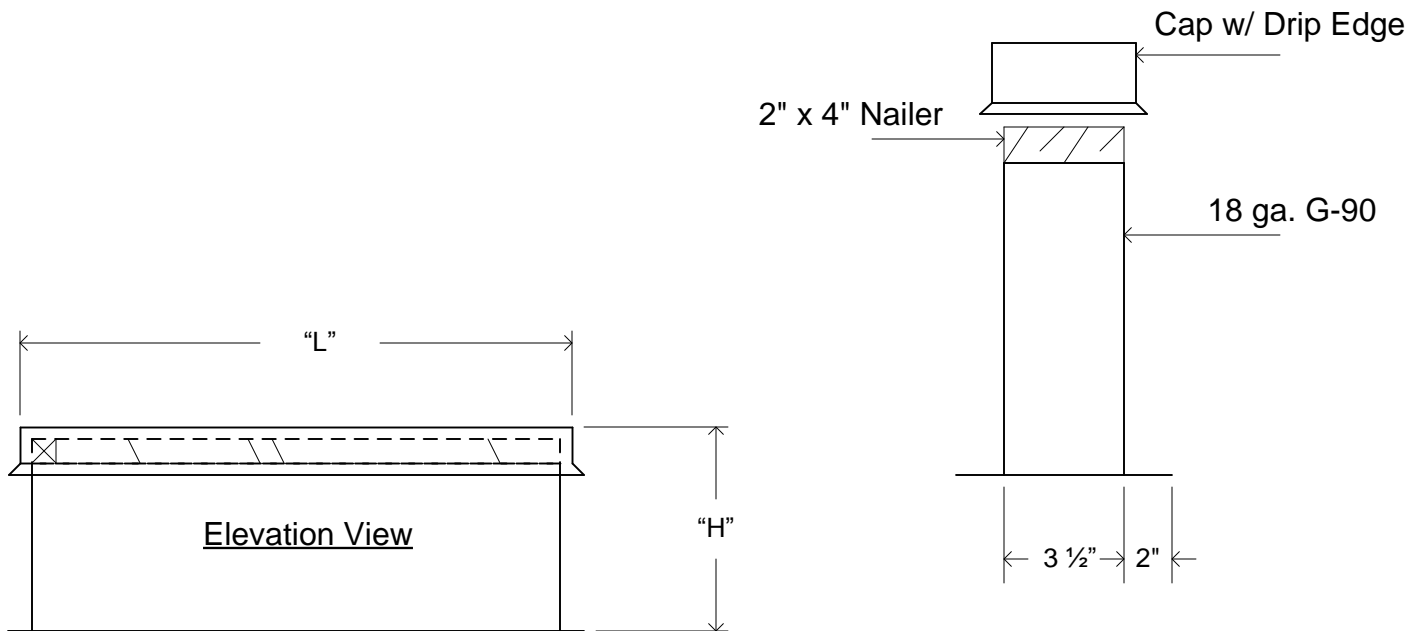
Qty.	O.D. Top	O.D Base	H	Tag:

<p>Union Curbs          3700 Annapolis Lane North          Suite 175          Plymouth, MN 55447          Tel: (877) 210-2722          Fax: (763) 231-2759</p>	<p>Drawing Description:          Model # UCCE2          *No Scale</p>	<p>Customer Approval          Approved By: _____          Your Title: _____          Company Name: _____          Date: _____</p>
--	---	---



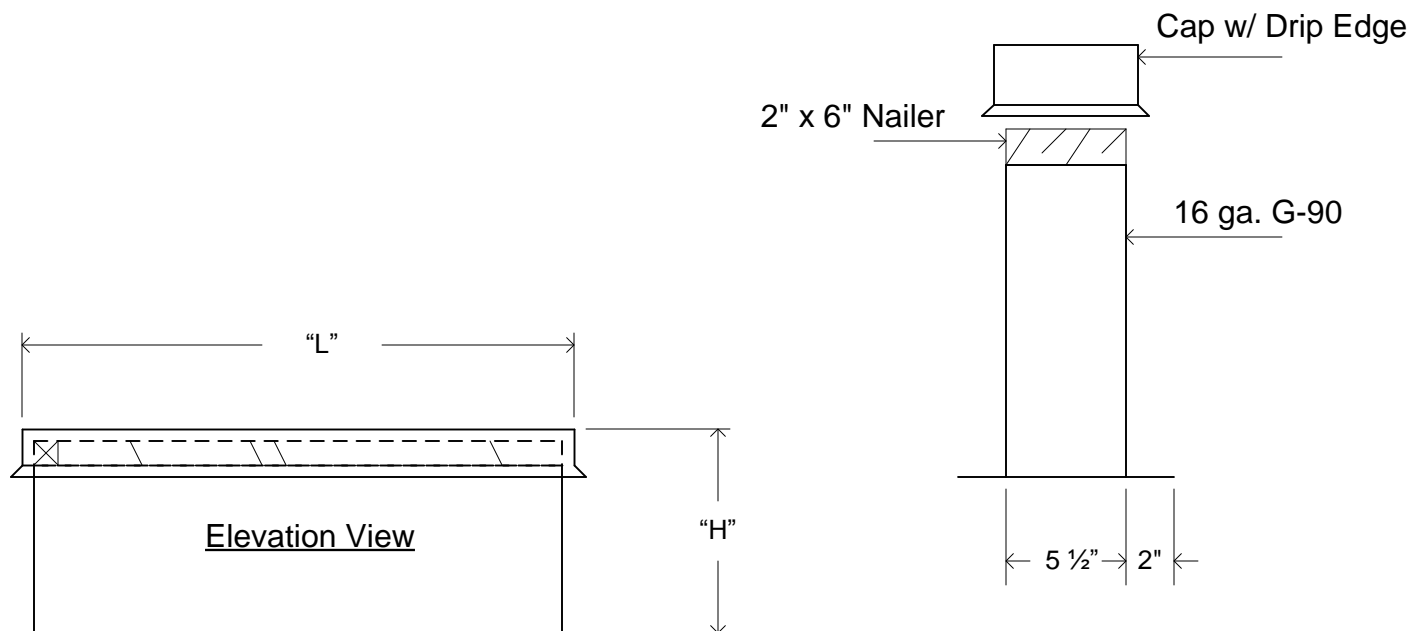
Qty.	Curb Cap O.D.	Curb O.D.	Tag:

<p>Union Curbs          3700 Annapolis Lane North          Suite 175          Plymouth, MN 55447          Tel: (877) 210-2722          Fax: (763) 231-2759</p>	<p>Drawing Description:          Vented Roof Curb          Model # UCRCC          *No Scale</p>	<p>Customer Approval          Approved By: _____          Your Title: _____          Company Name: _____          Date: _____</p>
--	---	---



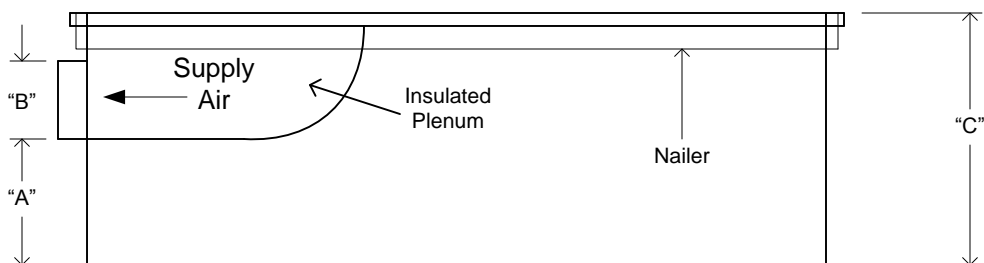
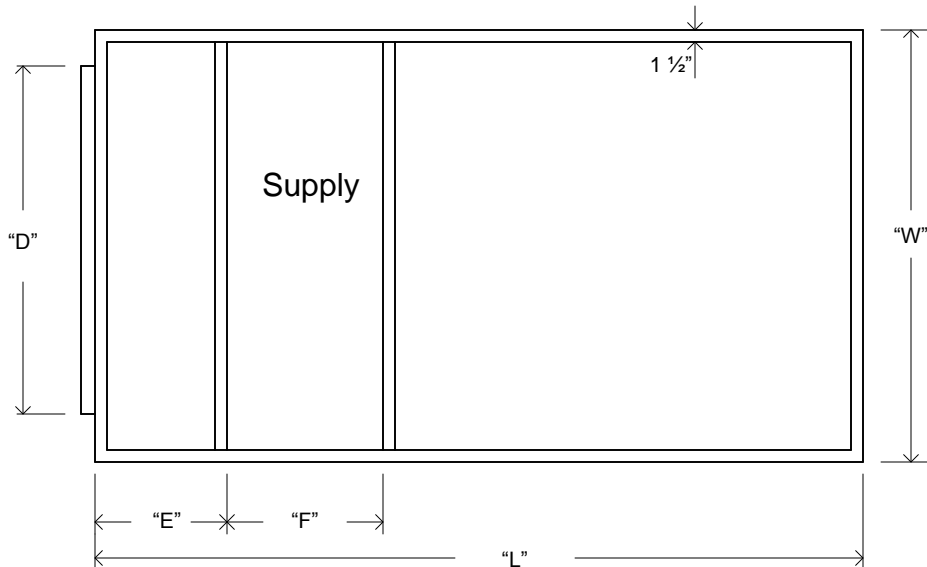
Qty.	"L"	"H"	Tag:

<p>Union Curbs          3700 Annapolis Lane North          Suite 175          Plymouth, MN 55447          Tel: (877) 210-2722          Fax: (763) 231-2759</p>	<p>Drawing Description:          Sleeper          Model # UCSC1          *No Scale</p>	<p>Customer Approval          Approved By: _____          Your Title: _____          Company Name: _____          Date: _____</p>
--	--	---



Qty.	"L"	"H"	Tag:

<p>Union Curbs          3700 Annapolis Lane North          Suite 175          Plymouth, MN 55447          Tel: (877) 210-2722          Fax: (763) 231-2759</p>	<p>Drawing Description:          Sleeper          Model # UCSC2          *No Scale</p>	<p>Customer Approval          Approved By: _____          Your Title: _____          Company Name: _____          Date: _____</p>
--	--	---

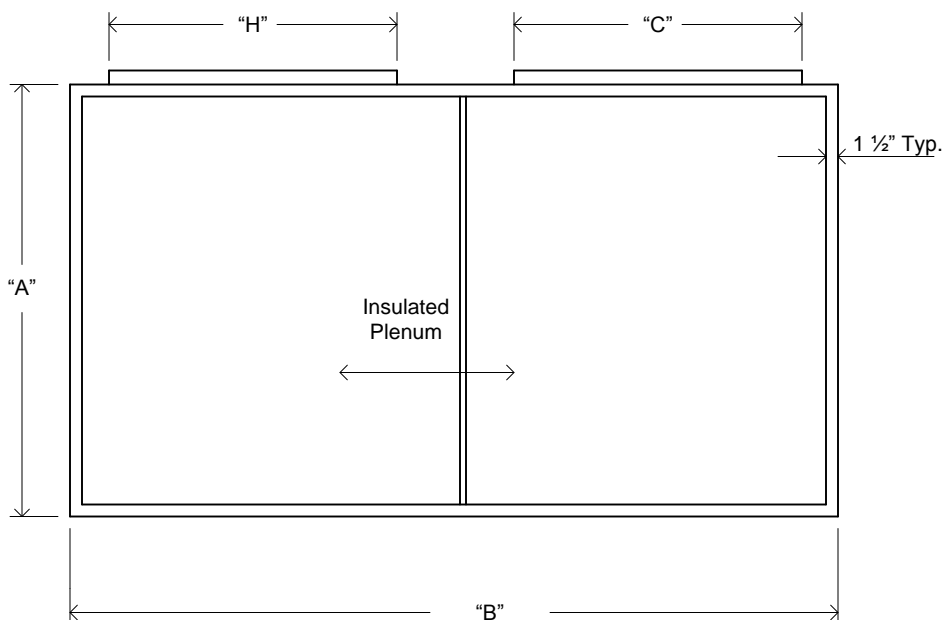
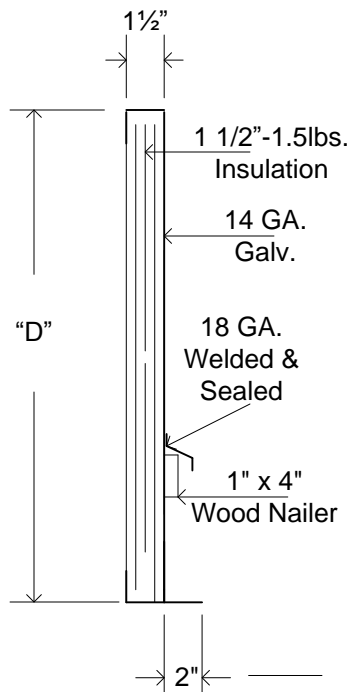


Qty.	A	B	C	D	E	F	L	W	Tag:

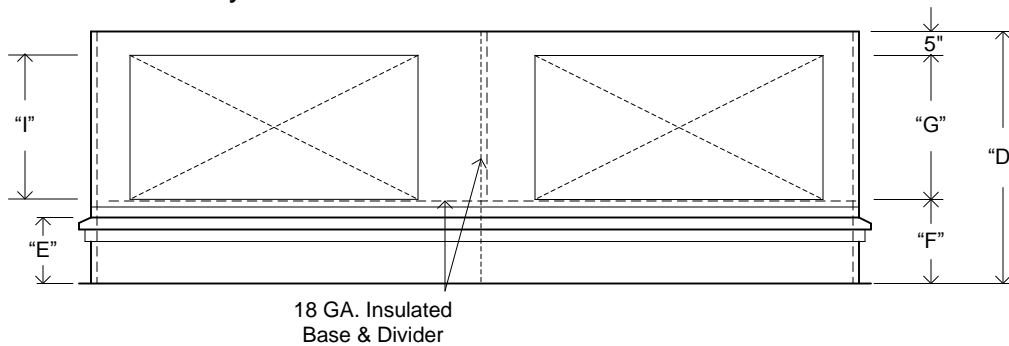
<p>Union Curbs          3700 Annapolis Lane North          Suite 175          Plymouth, MN 55447          Tel: (877) 210-2722          Fax: (763) 231-2759</p>	<p>Drawing Description:          UCRCS1          Side Discharge Curb          *No Scale</p>	<p>Customer Approval          Approved By: _____          Your Title: _____          Company Name: _____          Date: _____</p>
--	---	---



Section View



\* Fully assembled.



Qty.	A	B	C	D	E	F	G

Union Curbs  
 3700 Annapolis Lane North  
 Suite 175  
 Plymouth, MN 55447  
 Tel: (877) 210-2722  
 Fax: (763) 231-2759

Drawing Description:  
 Strait Curb With Flashing  
 \*No Scale

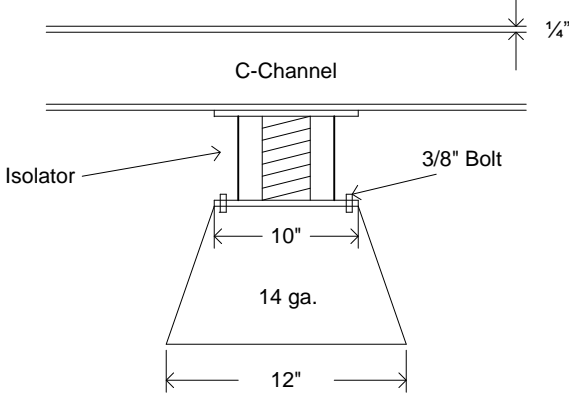
Customer Approval

Approved By: \_\_\_\_\_  
 Your Title: \_\_\_\_\_  
 Company Name: \_\_\_\_\_  
 Date: \_\_\_\_\_



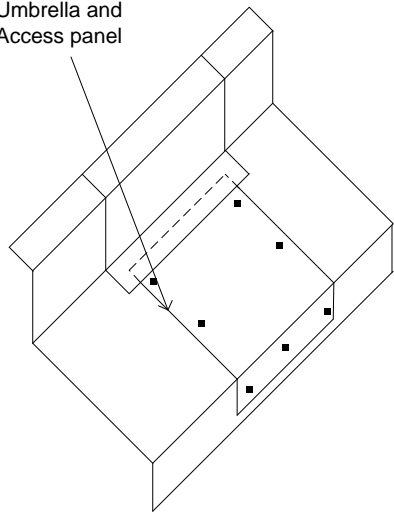


Isolator and Pedestal view

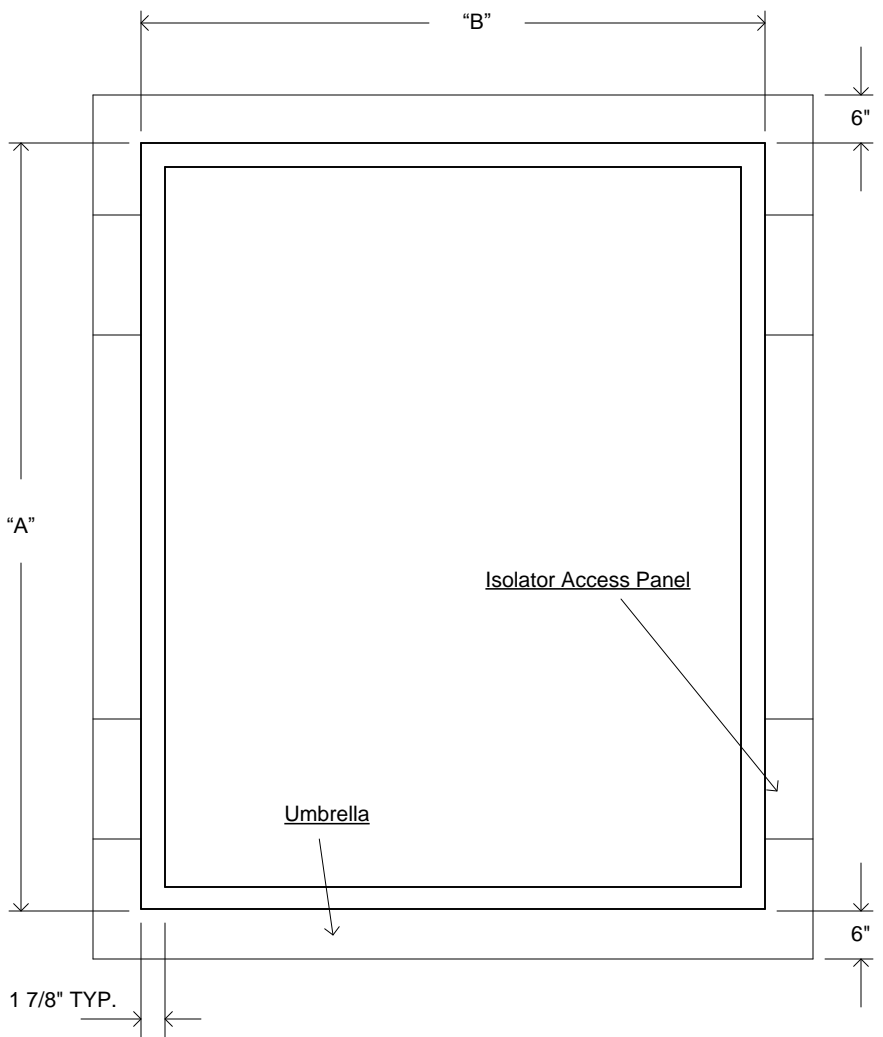
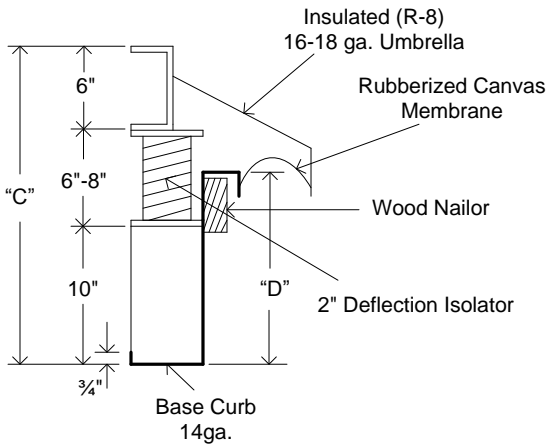


Gasket Between Umbrella and Access panel

Access Panel Detail



Side View of Isolator Detail



RTU/AHU Nomenclature: \_\_\_\_\_

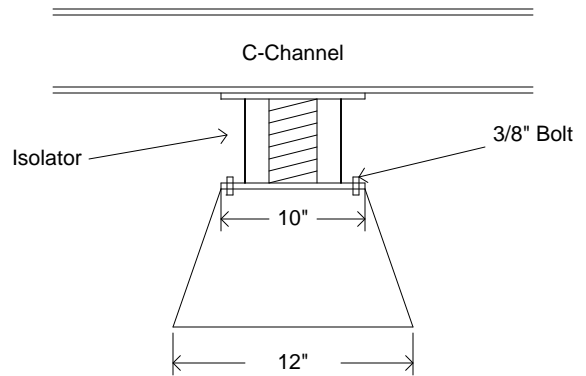
Qty.	"A"	"B"	"C"	"D"	Tag:

UNION CURBS  
 3700 ANNAPOLIS LANE NORTH  
 SUITE 175  
 PLYMOUTH, MN 55447  
 TEL: (877) 210-2722  
 FAX: (763) 231-2759

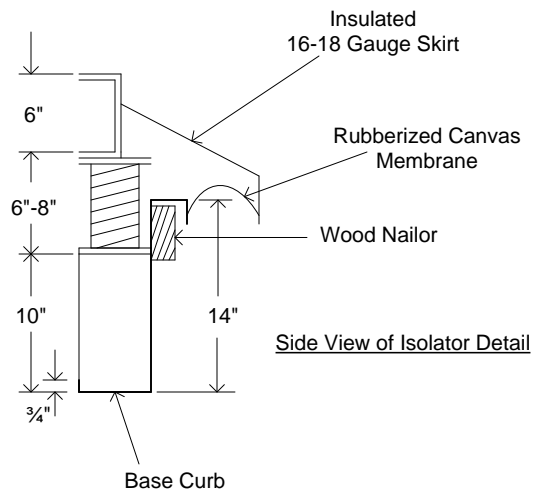
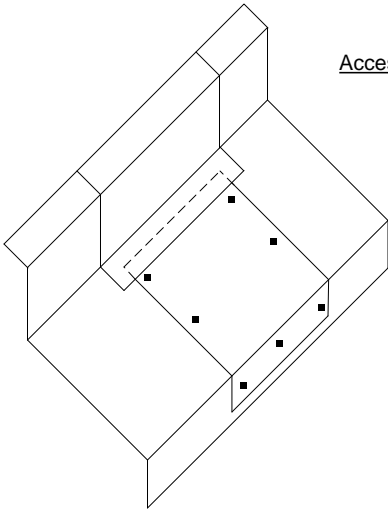
DRAWING DESCRIPTION:  
 UCVI Catalog Form

CUSTOMER APPROVAL:  
 APPROVED BY:  
 YOUR TITLE:  
 COMPANY NAME:  
 DATE:

Front View of Isolator Detail



Access Door Detail

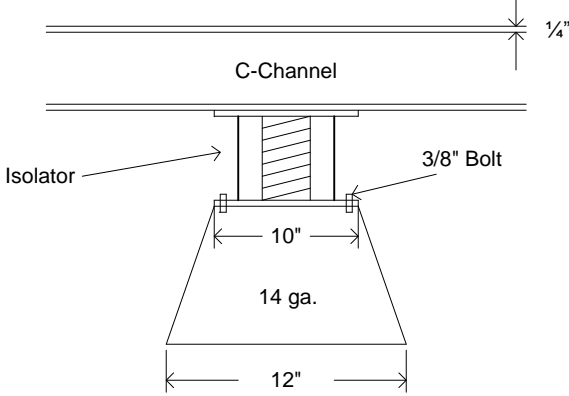


UNION CURBS  
3700 ANNAPOLIS LANE NORTH  
SUITE 175  
PLYMOUTH, MN 55447  
TEL: (877) 210-2722  
FAX: (763) 231-2759

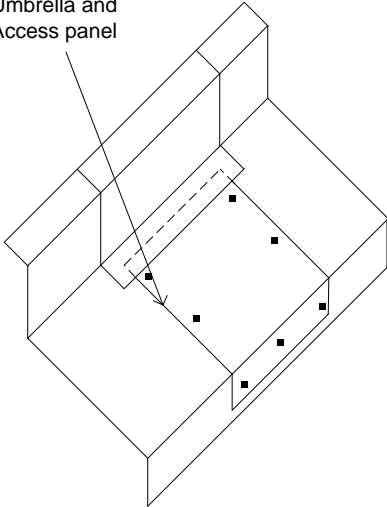
DRAWING DESCRIPTION:  
UCVI Vibration Isolation Detail

CUSTOMER APPROVAL:  
APPROVED BY:  
YOUR TITLE:  
COMPANY NAME:  
DATE:

Isolator and Pedestal view

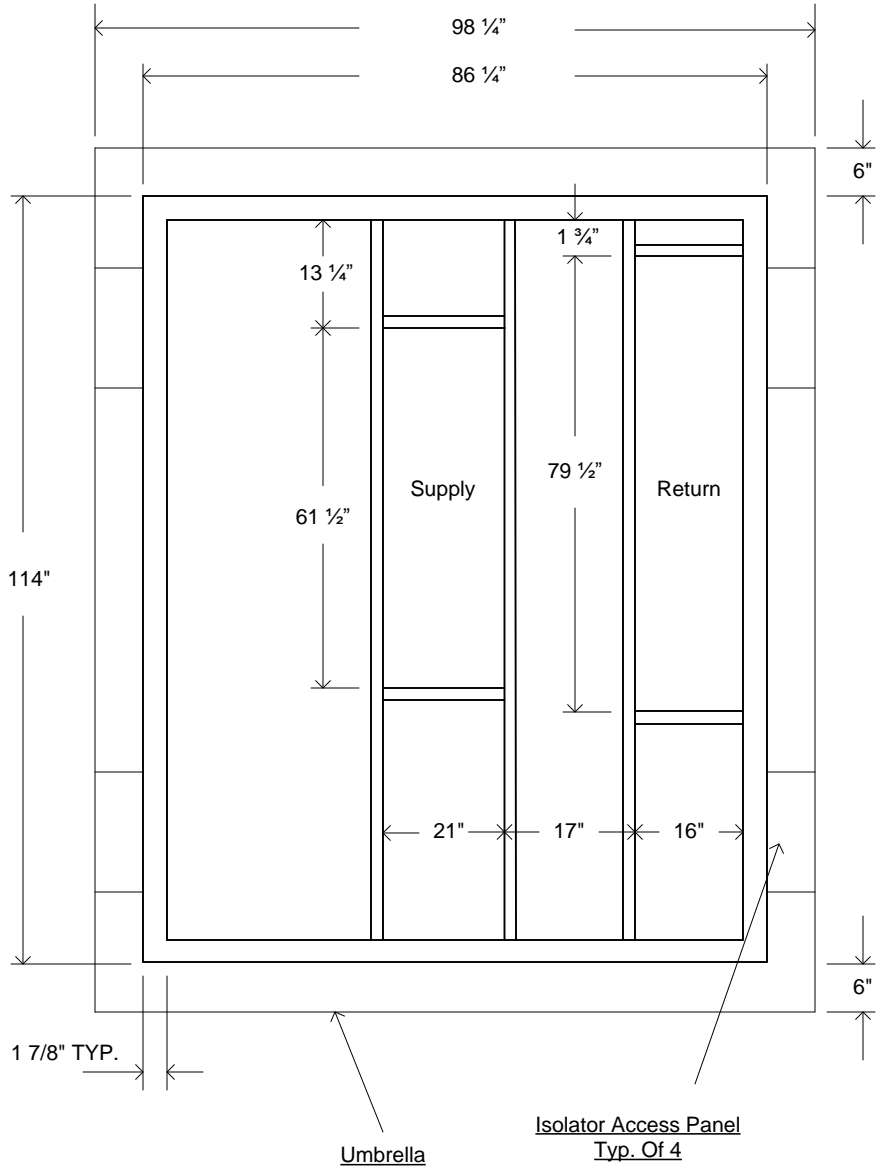
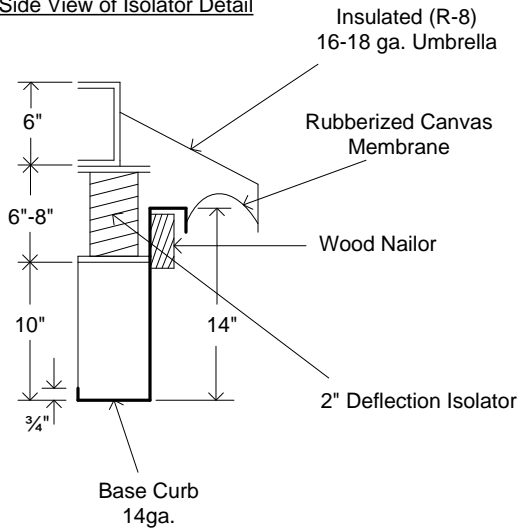


Gasket Between Umbrella and Access panel



Access Panel Detail

Side View of Isolator Detail



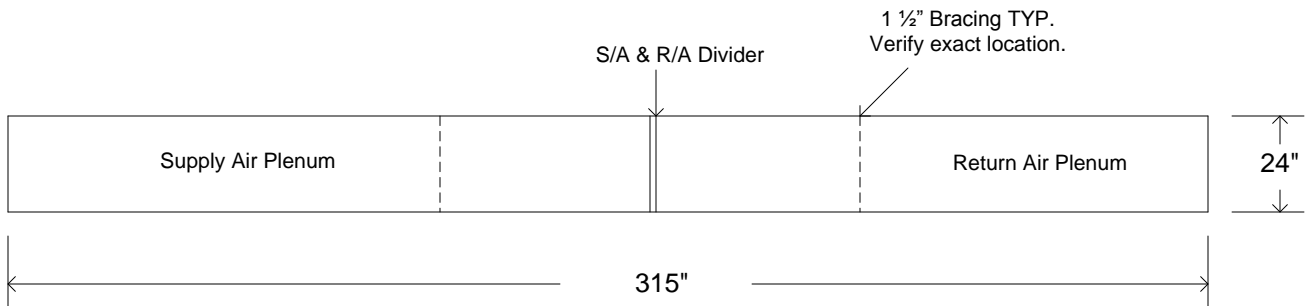
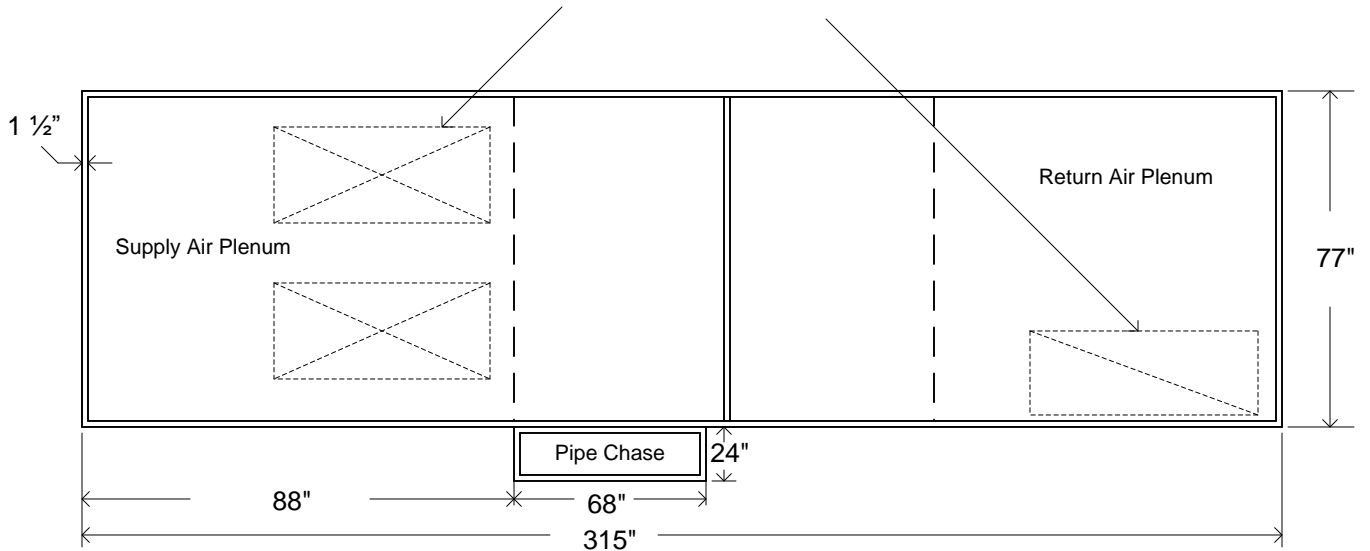
UNION CURBS  
 3700 ANNAPOLIS LANE NORTH  
 SUITE 175  
 PLYMOUTH, MN 55447  
 TEL: (877) 210-2722  
 FAX: (763) 231-2759

DRAWING DESCRIPTION:  
 UCVI Vibration Isolation Curb  
 LGC 248H (Standard Curb Layout)

CUSTOMER APPROVAL:  
 APPROVED BY:  
 YOUR TITLE:  
 COMPANY NAME:  
 DATE:

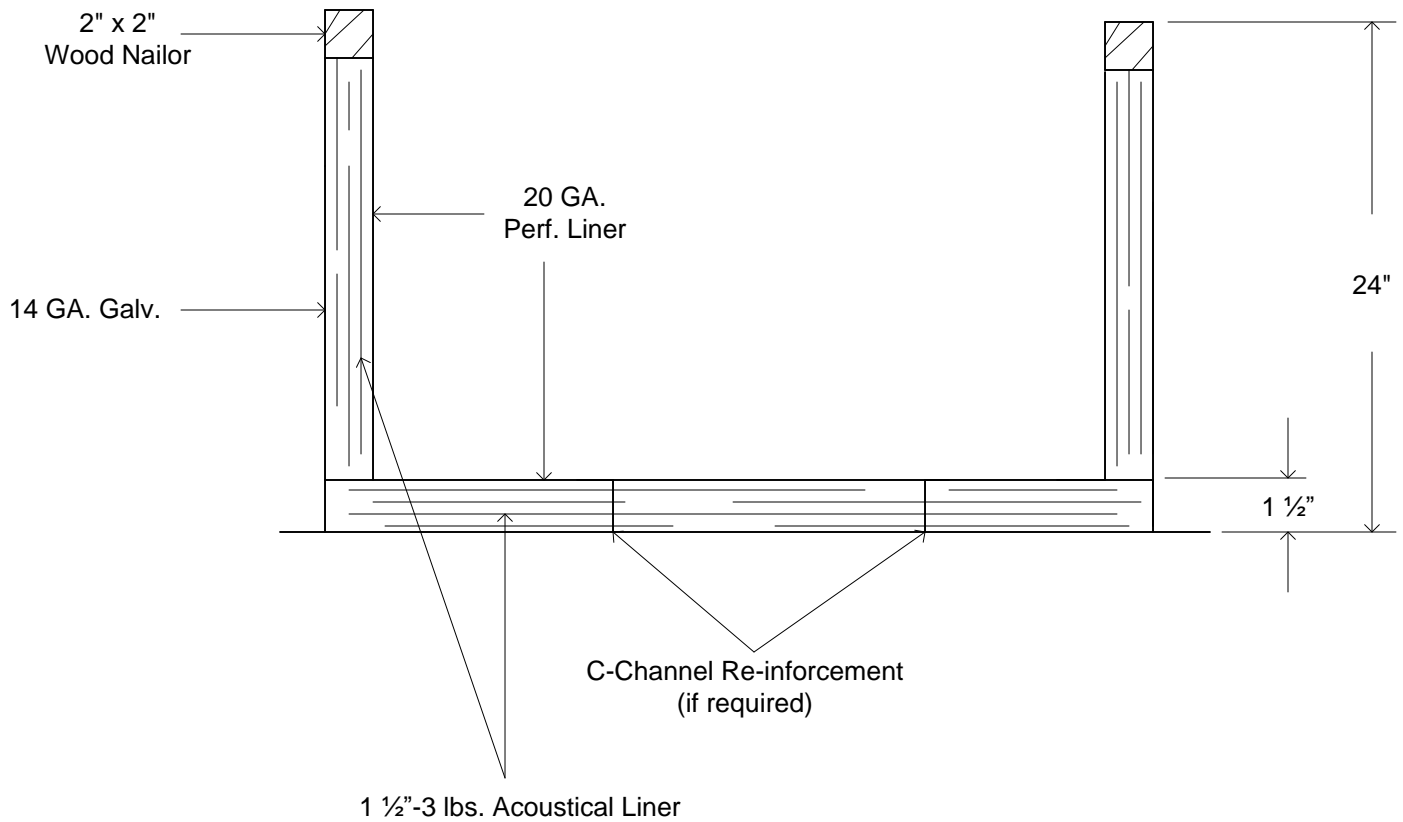


Openings to be cut out by contractor unless dimensions are submitted and verified.



\* Gasketing included  
 \*If drop openings are to be cut out in field, verify bracing locations.

<p>Union Curbs          3700 Annapolis Lane North          Suite 175          Plymouth, MN 55447          Tel: (877) 210-2722          Fax: (763) 231-2759</p>	<p>Drawing Description:          Acoustical View          *No Scale</p>	<p>Customer Approval          Approved By: _____          Your Title: _____          Company Name: _____          Date: _____</p>
--	---	---



<p>Union Curbs 3700 Annapolis Lane North Suite 175 Plymouth, MN 55447 Tel: (877) 210-2722 Fax: (763) 231-2759</p>	<p>Drawing Description: Acoustical View  *No Scale</p>	<p>Customer Approval</p> <p>Approved By: _____ Your Title: _____ Company Name: _____ Date: _____</p>
---	--	--